

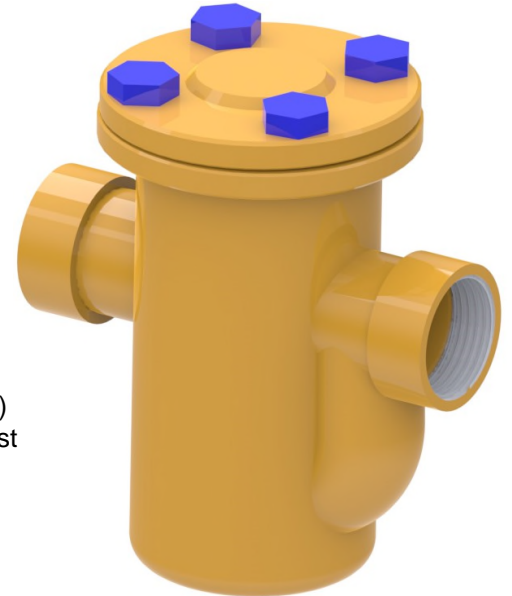
CAST BASKET STRAINER (THREADED AND SOCKET WELD CONNECTION-TYPE 2)

RATING

125LB & 300LB

Sizes ½” – 3” Nominal Bore

- Features
- ◆ Casted construction
 - ◆ Available in Threaded, Socket Weld connection
 - ◆ 4mm Perforated screen as standard
 - ◆ NDE 100% Visual as standard
 - ◆ Hydro static tested



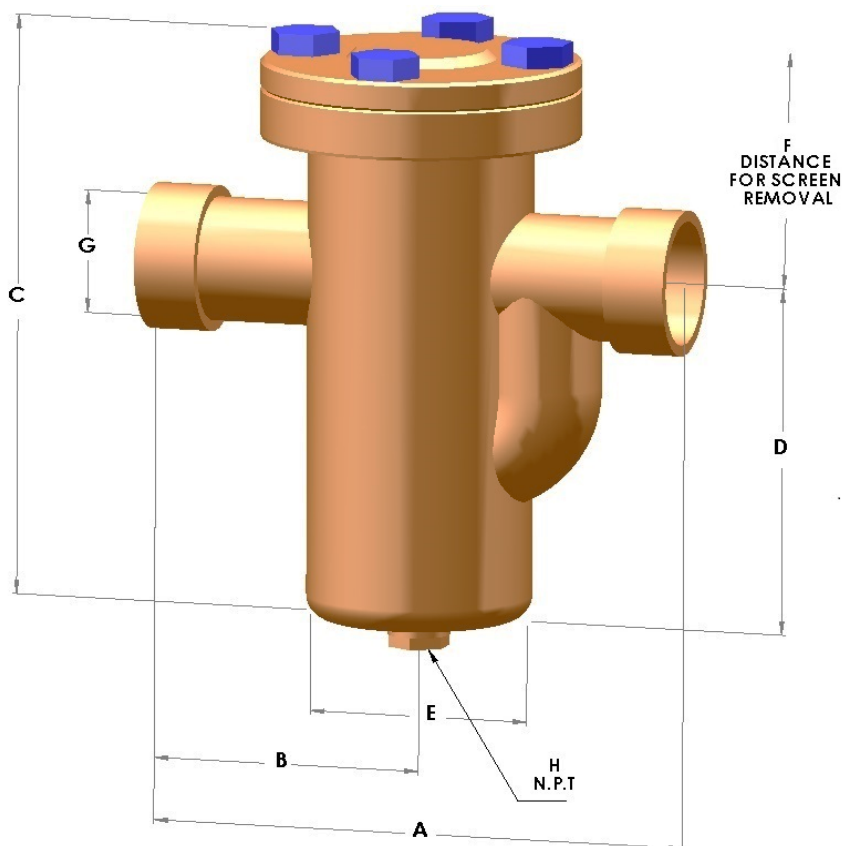
- Options
- ◆ Special materials are available upon request
 - ◆ Designed to meet ASME standard
 - ◆ Drain/Vent connection is plugged (flanged upon request)
 - ◆ Special internal and external Coating/Lining upon request

Parts List and Standard Materials

Part	Cast Iron	Carbon Steel	Stainless Steel
Model	BT125IB2 / BSW125IB2	BT300SB2 / BSW300SB2	BT300SSB2 / BSW300SSB2
1.Body	A126-B	A216-WCB	A351-CF8M
2.Cover	A126-B	A216-WCB	A351-CF8M
3.Gasket ¹	Buna-N O-Ring	Bolted Cover : 304SS Spiral Wound	Bolted Cover : 304SS Spiral Wound
4.Bolt/Stud	A307-B	A193-B7	A193-B8-1
5.Nuts	A563	A194-2H	A194-8
6.Screen	304 SS	304 SS	304 SS
7. Drain	A126-B	A105	A182-316
8.Vent	A126-B	A105	A182-316

Notes:

1. Recommended Spares for item no.3 and 6.



Dimensional Data (Class 125LB & 300LB)

Size inch (mm)	A		B		C		D		E inch (mm)	F		G inch (mm)	H NPT		Weight LB.(Kg).			
	inch (mm)		inch (mm)		inch (mm)		inch (mm)			inch (mm)			inch (mm)		Cover		Unit	
	125LB	300LB	125LB	300LB	125LB	300LB	125LB	300LB		125LB	300LB		125LB	300LB	125LB	300LB	B125	B300
½"	7	7	3.75	3,75	9.4	9.4	6.5	5	3,63	7,13	5,75	0,855	3/8	3/8	3	6	10	18
15	178	178	95	95	238.8	238.8	165.1	127	92	181	146	21,72	10	10	1,4	2,7	4,5	8,2
¾"	7	7	3.75	3,75	10	10	6.5	6	3,63	7,88	7,44	1,065	½	3/8	6	8	18	24
1	178	178	95	95	254	254	165.1	152.4	92	200	189	27,05	15	10	2,7	3,6	8,2	10,9
1"	7	7	3.75	4	10	10	6.5	6	3,63	7,88	7,44	1,33	½	½	6	8	18	24
25	178	178	95	102	254	254	165.1	152.4	92	200	189	33,78	15	15	2,7	3,6	8,2	10,9
1 ¼"	8.75	9	4.25	4.5	12.4	13.4	8.5	9	4,25	10,5	11,06	1,675	½	¾	8	12	30	43
32	222.3	229	114	114	315	340.4	215.9	228.6	108	267	281	42,55	15	20	3,6	5,4	13,6	19,5
1 ½"	8.75	9	4.25	4.5	12.4	13.4	8.5	9	4,25	10,5	11,06	1,915	¾	¾	8	12	30	43
40	222.3	229	114	114	315	340.4	215.9	228.6	108	267	281	48,64	20	20	3,6	5,4	13,6	19,5
2"	10	10	4.75	5	12.4	13.75	8.5	9	5,25	11,28	11,69	2,406	1 ¼	1	13	16	50	50
50	254	254	127	127	315	349.3	215.9	228.6	133	279	297	61,11	32	25	5,9	7,3	22,7	26,3
2 ½"	11.75	N/A	5.5	N/A	16.9	N/A	10.5	N/A	6,63	13,25	N/A	N/A	1 ¼	N/A	17	N/A	62	N/A
65	298.5		140		429.3		266.7		168	337			32		7,7		28,1	
3"	11.75	N/A	5.5	N/A	16.9	N/A	10.5	N/A	6,63	13,5	N/A	N/A	1 ¼	N/A	17	N/A	62	N/A
80	298.5		140		429.3		266.7		168	343			32		7,7		28,1	

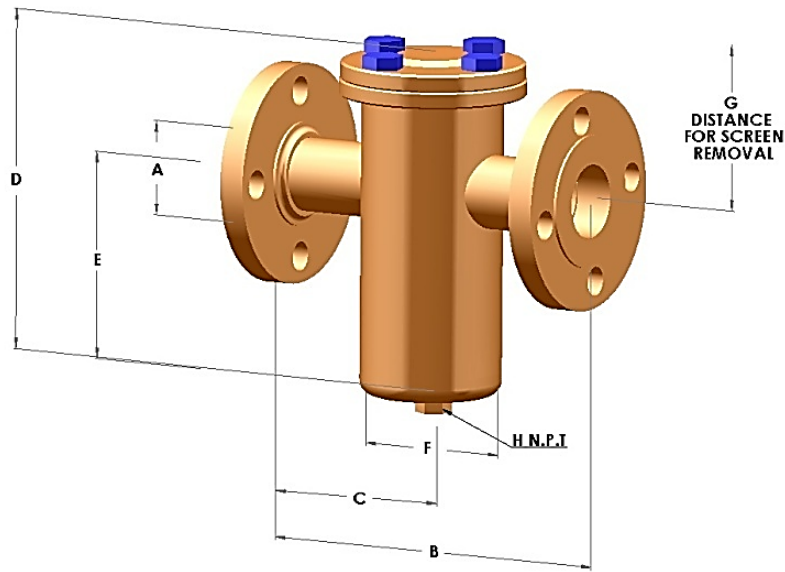


Inline Flow Specialty
Our Quality Defines Us

Inline Flow Specialty Pte Ltd
39 Woodlands Close
Mega@Woodlands #08-78
Singapore 737856
☎ +65 6365 5400 ☎ +65 6365 6455
www.inlineflowspecialty.com

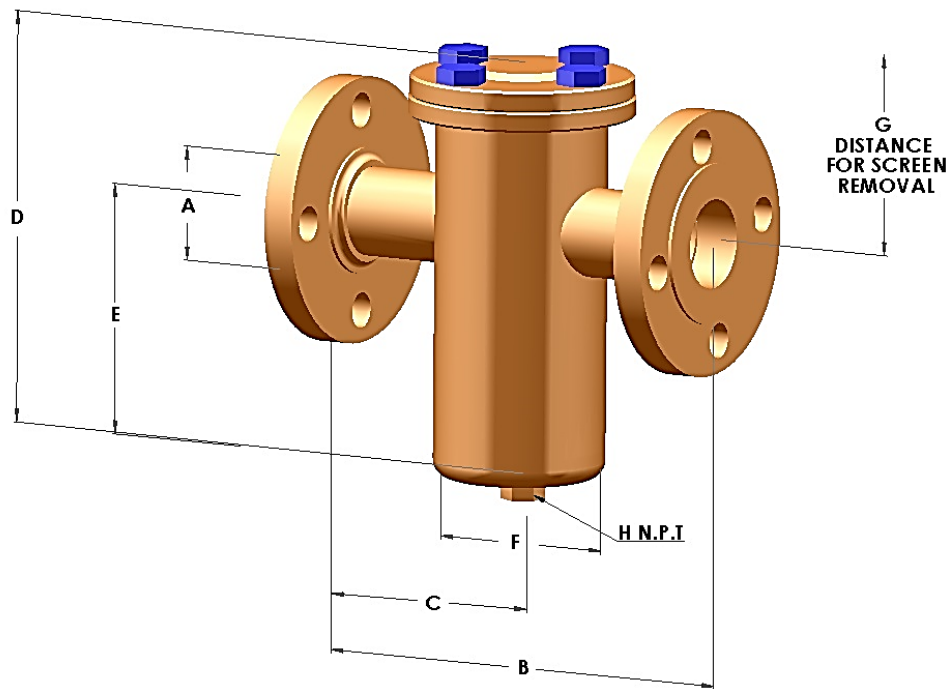
Document No. :
IFS/STR_B03/CAT

Rev. : 0



Dimensional Data (Class 125LB & 150LB)

Size inch (mm)	A inch (mm)	B inch (mm)	C inch (mm)	D inch (mm)	E inch (mm)	F inch (mm)	G inch (mm)	H NPT inch (mm)		Weight Lb. (kg)	
								125LB	150LB	Cover	Unit
2"	2	8.25	4.125	9.5	6	3	11.75	½	1	6	28
50	51	209.6	104.8	241.3	152.4	76	298	15	25	2.7	12.6
2½"	2,5	8.5	4.25	11.25	7.5	4	13.25	¾	1	8.4	40
65	64	215.9	107.95	285.75	190.5	102	338	20	25	3.8	18
3"	3	10	5	12.625	8.25	5	15.38	¾	1	10.8	52.8
80	76	254	127	320.7	209.6	127	392	20	25	4.9	23.8
4"	4	11.75	5.875	14	9	6	17.75	1	1	15.6	80
100	102	298.5	149.23	355.6	228.6	152	452	25	25	7	36
5"	5	13.25	6.625	15.75	9.5	7	20.5	1	1	22.4	106
125	127	336.6	168.3	400.1	241.3	178	522	25	25	10	47.7
6"	6	15	7.5	17.25	10	8	23	1	1	31.2	144
150	152	381	190.5	438.15	254	203	585	25	25	14	65
8"	8	19	9.5	22.25	13	10	30	1½	N/A	45	264
200	203	482.6	241.3	565.15	330.2	254	762	40		20,0	119
10"	10	20.25	10.125	26	15	13	35.5	1½	N/A	70	388.7
250	254	514.35	257.2	660.4	381	330	902	40	-	32,0	175
12"	12	26.5	13.25	31	18	15	42.5	1½	N/A	110	575
300	305	673.1	336.6	541.1	457.2	381	1080	40	-	50,0	259
14"	14	30.5	15.25	38.75	23	18	53	1½	N/A	140	896
350	356	774.7	387.35	984.25	584.2	457	1346	40	-	63,0	403
16"	16	33.5	16.75	40.625	24	21	55.625	1½	N/A	180	1145
400	406	850.9	425.45	1031.2	609.6	533	1414	40	-	81,0	515
18"	18	38.75	19.375	41.25	25	25	61	2	N/A	220	1591
450	457	984.25	492.13	1047.75	635	635	1550	50	-	99,0	716
20"	20	41.5	20.75	49.25	26	27	69.25	2	N/A	285	2178
500	508	1054.1	527.1	540.4	660.4	686	1760	50	-	129,0	980



Dimensional Data (Class 150LB)

Size inch (mm)	A inch (mm)	B inch (mm)	C inch (mm)	D inch (mm)	E inch (mm)	F inch (mm)	G inch (mm)	H NPT inch (mm)	Weight Lb. (kg) Unit
2"	2	8.25	4.125	9.5	6	3,88	13	1	5 25
50	51	209.6	104.8	241.3	152.4	98	330	25	2,3 11,3
2½"	2,50	8.5	4.25	11.25	7.5	4,00	14,5	1	7 35
65	64	215.9	107.95	285.75	190.5	102	368	25	3,2 15.9
3"	3,00	10	5	12.625	8.25	4,38	16	1	9 48
80	76	254	127	320.7	209.6	111	406	25	4,1 21,7
4"	4,00	11.75	5.875	14	9	5,25	22,25	1	13 72
100	102	298.5	149.23	355.6	228.6	133	565	25	5,9 32,6
5"	5,00	13.25	6.625	15.75	9.5	7,50	23,5	1	20 90
125	127	336.6	168.3	400.1	241.3	191	597	25	9,1 40,8
6"	6,00	15	7.5	17.25	10	7,50	24,25	1	26 124
150	152	381	190.5	438.15	254	191	616	25	12 56.2
8"	8,00	19	9.5	22.25	13	10,00	30	1	45 223
200	203	482.6	241.3	565.15	330.2	254	762	25	20 101
10"	10,00	20.25	10.125	26	15	11,63	36	1	70 355
250	254	514.35	257.2	660.4	381	295	914	25	32 161
12"	12,00	26.5	13.25	31	18	15,88	43	1½	110 529
300	305	673.1	336.6	541.1	457.2	403	1092	40	50 240

CAST BASKET STRAINER (FLANGED CONNECTION - TYPE 2)

RATING

150LB

Sizes 1 ½" – 8" Nominal Bore

- Features
- ◆ Casted construction
 - ◆ Available with RF, FF (ASME B16.5) flanged connection
 - ◆ 4mm Perforated screen as standard
 - ◆ NDE 100% Visual as standard
 - ◆ Hydro static tested

- Options
- ◆ Special materials are available upon request
 - ◆ Designed to meet ASME standard
 - ◆ Drain/Vent connection is plugged (flanged upon request)
 - ◆ Special internal and external Coating/Lining upon request

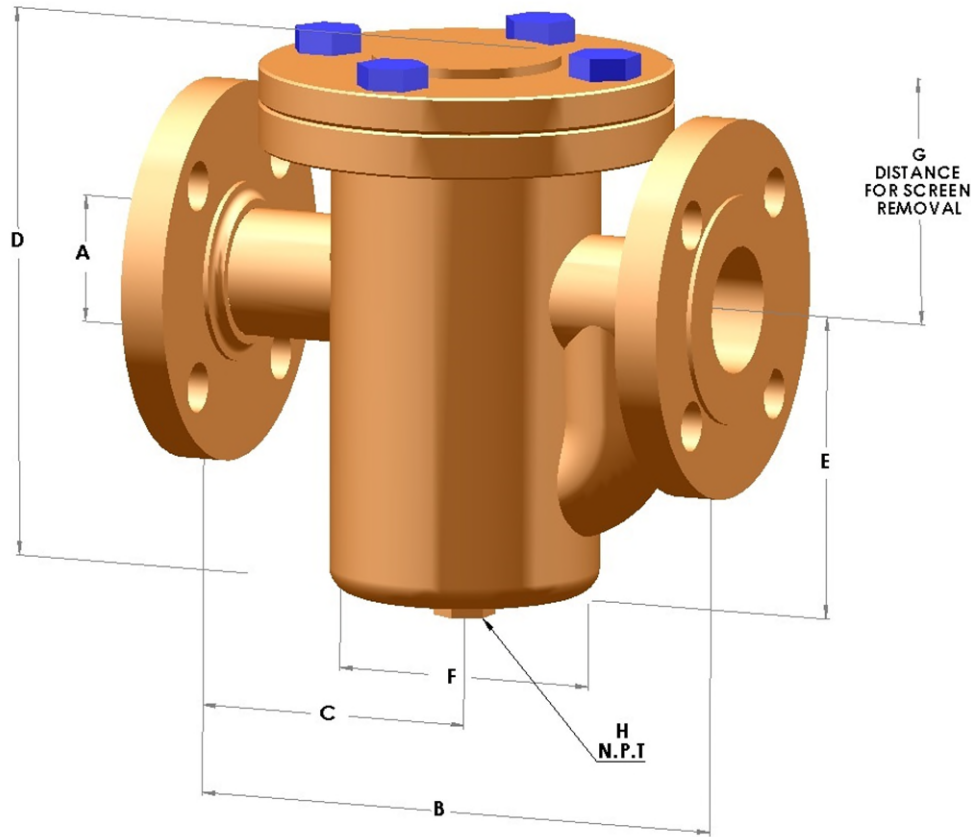


Parts List and Standard Materials

Part Model	Carbon Steel BRF125IB2 / BFF125IB2	Stainless Steel BRF150BB2 / BFF150BB2
1. Body	A216-WCB	A351-CF8M
2. Cover	A216-WCB	A351-CF8M
3. Gasket	Bolted Cover : Teflon	Bolted Cover : Teflon
4. Bolt/Stud	A193-B7	A194-B8-1
5. Nut	A193-2H	A194-B8
6. Screen	316SS	316SS
7. Drain	A105	A182-316
8. Vent	A105	A182-316

Notes:

1. Recommended Spares for item no.3 and 6.



Dimensional Data (Class 150LB)

Size inch (mm)	A inch (mm)	B inch (mm)	C inch (mm)	D inch (mm)	E inch (mm)	F inch (mm)	G inch (mm)	H NPT inch (mm)	Weight	
									Cover	Unit
1 ½"	1,50	9.75	4.875	11	7.5	4.37	13.75	½	5	21
40	38	247.65	123.8	279.4	190.5	111	349.25	15	2,3	9.45
2"	2,00	10.75	5.375	12.6	8.5	4.87	15.75	¾	7	29
50	51	273.1	136.5	320	215.9	124	400.1	20	3,2	13
3"	3,00	13.25	6.625	16	11.5	6	20	1	17	45
80	76	336.6	168.3	406.4	292.1	152	508	25	7,7	20
4"	4,00	17.5	8.75	17	12	7.38	21	2	20	67
100	102	444.5	222.25	431.8	304.8	187	533.4	50	9,1	30
6"	6,00	19.75	9.875	25.5	19	11.75	31.25	2	45	120
150	152	501.7	250.8	647.7	482.6	298	793.75	50	20	54
8"	8,00	27	13.5	35.75	28	13.88	42.5	2	70	220
200	203	685.8	342.9	908.1	711.2	352	1079.5	50	32	99