





Inline Flow Specialty  
Our Quality Defines Us

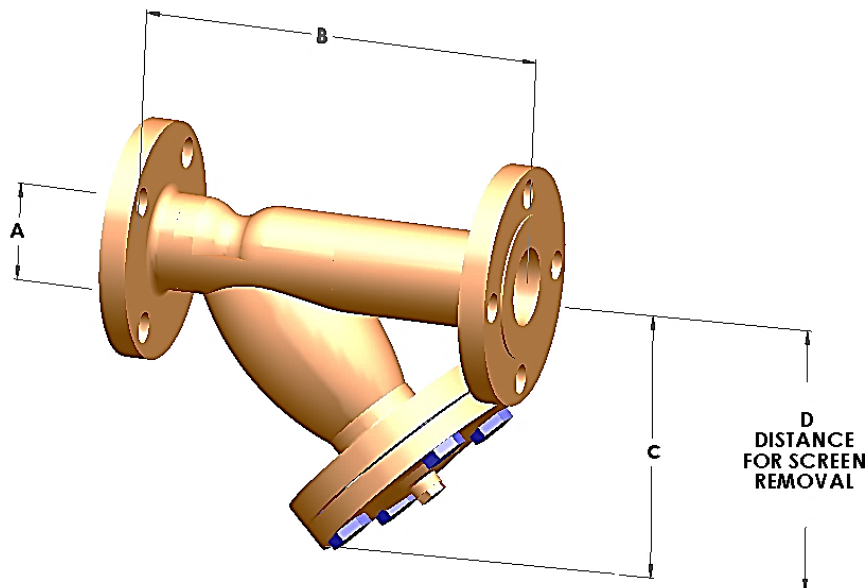
Inline Flow Specialty Pte Ltd  
39 Woodlands Close  
Mega@Woodlands #08-78  
Singapore 737856  
☎ +65 6365 5400 ☎ +65 6365 6455  
www.inlineflowspecialty.com

Document No. :  
IFS/STR\_Y02/CAT

Rev. : 0

### Dimensional Data 1/2"-12" (Class 150LB & 300LB)

Size inch (mm) Rating (Lb)	A inch (mm)		B inch (mm)		C inch (mm)		D inch (mm)		E NPT inch (mm)		Weight Lb. (kg)	
	150	300	150	300	150	300	150	300	150	300	150	300
1/2"	0,5	0,5	6.25	6.75	5	5.5	8.75	9.6	1/4	1/4	5,5	8
15	13	13	158.75	171.45	127	139.7	222.25	243.84	8	8	2,5	3,6
3/4"	0,75	0,75	7.25	8	5.5	6.25	9.7	10.9	3/8	3/8	6,5	14
20	19	16	184.15	203.2	139.7	158.8	246.4	277	10	10	3	6,4
1"	1,0	1,0	7.75	8	6	6.75	10.5	11.8	1/2	1/2	9	15
25	25	25	196.9	203.2	152.4	171.5	266.7	299.8	15	15	4	6,8
1 1/2"	1,5	1,5	9.25	10.75	6.75	8.25	11.8	14.4	1/2	1/2	12	32
40	38	38	235	273.1	171.45	209.6	300	365.8	15	15	5,5	15
2"	2,0	2,0	9.75	10	7.5	8.25	13.1	14.4	1/2	1/2	20	26
50	51	51	247.65	254	190.5	209.6	332.7	365.8	15	15	9	12
2 1/2"	2,5	2,5	10.5	11	8.75	8.25	15.3	14.4	3/4"	1	32	36
65	64	64	266.7	279.4	222.25	209.6	388.6	365.8	20	25	14,5	79
3"	3,0	3,0	11.75	12.75	8.75	9.25	15.3	16.2	1	1	36	55
80	76	76	298.5	323.85	222.25	235	388.6	411.5	25	25	16	25
4"	4,0	4,0	14.5	14.75	10.25	10.75	17.9	18.8	1 1/2	1 1/2	61	88
100	102	102	368.3	374.65	260.4	237	454.7	477.5	40	40	28	40
5"	5,0	5,0	17.75	18.5	12.25	16.25	21.4	28.4	2	2	110	180
125	127	127	450.85	469.9	311.15	412.8	543.6	721.4	50	50	50	82
6"	6,0	6,0	18.75	20	14.25	16.5	24.9	28.9	2	2	160	200
150	152	152	476.25	508	362	419.1	632.5	734.1	50	50	73	91
8"	8,0	8,0	24.5	25.25	16.5	17.75	28.9	31.1	2	2	210	290
200	203	203	622.3	641.4	419.1	450.9	734.1	790	50	50	95	132
10"	10,0	10,0	26.25	28	20.25	22.25	35.4	38.9	2	2	440	520
250	254	254	666.75	711.2	514.4	565.2	899.2	988.1	50	50	200	236
12"	12,0	12,0	30.5	33.25	23.25	25.5	40.7	44.6	2	2	585	680
300	305	305	774.7	844.6	590.6	647.7	10.4	1132.8	50	50	265	308





Inline Flow Specialty Pte Ltd  
 39 Woodlands Close  
 Mega@Woodlands #08-78  
 Singapore 737856  
 ☎ +65 6365 5400    📠 +65 6365 6455  
 www.inlineflowspecialty.com

**Document No. :**  
**IFS/STR\_Y03/CAT**

**Rev. : 0**

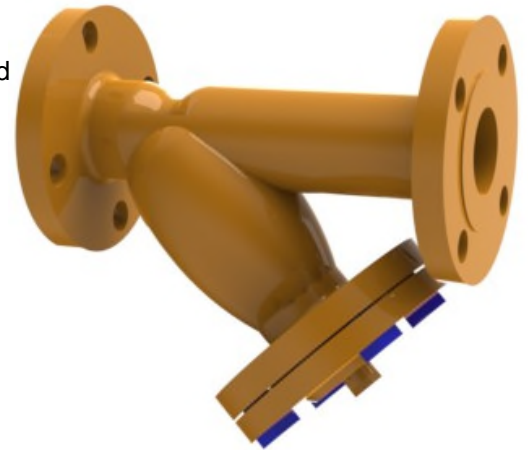
## CAST STEEL Y- STRAINER (FLANGED CONNECTION)

**RATING**  
**600LB, 900LB & 1500LB**

Sizes      2" – 12" Nominal Bore

- Features
- ◆ Casted construction
  - ◆ Available with RF, FF, RTJ (ASME B16.5) flanged connection
  - ◆ 4mm Perforated screen as standard
  - ◆ NDE 100% Visual as standard
  - ◆ Hydro static tested

- Options
- ◆ Special materials are available upon request
  - ◆ Designed to meet ASME standard
  - ◆ Drain/Vent connection is plugged (flanged upon request)
  - ◆ Special internal and external Coating/Lining upon request

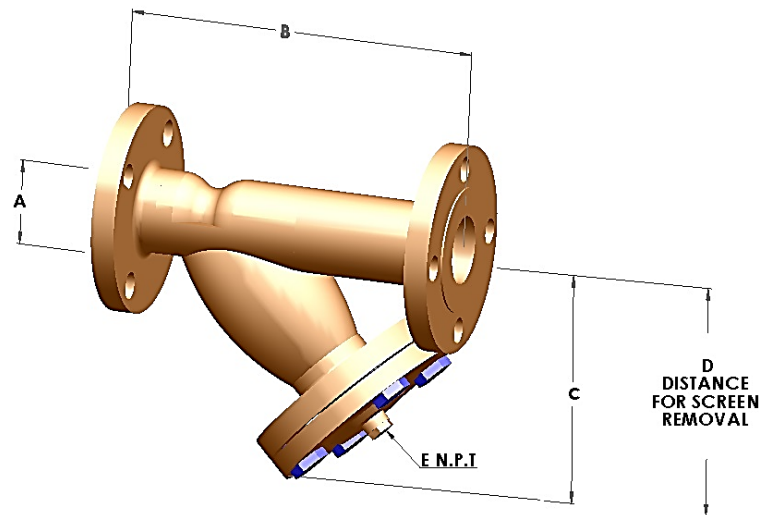


### Part List and Standard Materials (Flanged End)

Part Model	Carbon Steel	Stainless Steel
	YRF600SB / YFF600SB YRF900SB / YFF900SB YRF1500SB / YFF1500SB	YRF600SSB / YFF600SSB YRF900SSB / YFF900SSB YRF1500SSB / YFF1500SSB
1. Body	A216-WCB	A351-CF8M
2. Cover	A216-WCB	A351-CF8M
3. Screen	316SS	316SS
4. Plug	A105	A182-316
5. Gasket	304 SS Spiral Wound	304 SS Spiral Wound
6. Stud	A193-B7	A193-B8-I
7. Nut	A194-2H	A194-8

**Notes:**

1. Recommended spares for item no.3 and 5.



### Dimensional Data (600LB)

Size inch (mm)	A inch (mm)	B inch (mm)	C inch (mm)	D inch (mm)	E NPT inch (mm)	Weight Lb. (kg)
2"	2	12.75	9.25	16.2	1/2	45
50	51	323.85	235	411.5	15	20
3"	3	15.75	11.5	20	1 1/4	109
80	76	400.1	292.1	508	32	49
4"	4	20.25	15	26.25	1 1/2	197
100	102	514.35	381	666.8	40	89
6"	6	25.75	18.5	32.4	2	409
150	152	654.1	469.9	823	50	186
8"	7,9	30.25	23	40	2	710
200	200	768.4	584.2	1016	50	322
10"	9,75	37.75	27	47.25	2	1430
250	248	958.9	685.8	1200	50	649
12"	11,75	45.75	37.5	65.7	2	1750
300	298	1162.1	952.5	1669	50	794

### Dimensional Data (900LB and 1500LB)

Size inch (mm) Rating (Lb)	A inch (mm)		B inch (mm)		C inch (mm)		D inch (mm)		E NPT inch (mm)		Weight Lb. (kg)	
	900	1500	900	1500	900	1500	600	1500	900	1500	900	1500
2"	1.87	1.87	16.5	16.5	12	12	21	21	OPT.	OPT.	125	125
50	48	48	419.1	419.1	305	305	533.4	533.4			57	57
2 1/2"	2.25	2.25	19.5	19.5	14.5	14.5	25.4	25.4	OPT.	OPT.	145	145
65	57	57	495.3	495.3	368.3	368.3	645.2	645.2			66	66
3"	2.87	2.75	20.5	22.5	15	15.5	26.25	29.2	OPT.	OPT.	163	234
80	73	73	520.7	571.5	381	394	666.8	741.7			74	106
4"	3.87	3.63	23.5	25.5	17	18	29.75	31.5	OPT.	OPT.	253	355
100	98	92	596.9	647.7	432	457.2	755.7	800			115	161
6"	5.75	5.38	28	32.25	21	23	36.75	40.25	OPT.	OPT.	550	812
150	146	137	711.2	819.15	533.4	584.2	933.5	1022.4			250	368
8"	7.5	7	34.75	41.25	25	29	43.75	50.75	OPT.	OPT.	1075	1725
200	191	178	882.65	1047.8	635	736.6	1111	1290			488	782

 <b>Inline Flow Specialty</b> <i>Our Quality Defines Us</i>	<b>Inline Flow Specialty Pte Ltd</b> 39 Woodlands Close Mega@Woodlands #08-78 Singapore 737856 ☎ +65 6365 5400    ☎ +65 6365 6455 www.inlineflowspecialty.com	<b>Document No. :</b>
		<b>IFS/STR_Y04/CAT</b>
		<b>Rev. :</b>
		<b>0</b>

<b>CAST IRON-BRONZE Y- STRAINER</b> <b>(FLANGED CONNECTION)</b>	<b>RATING</b>
	<b>125LB, 150LB &amp; 250LB</b>

Sizes        2" – 16" Nominal Bore

- Features     ♦ Casted construction  
♦ Available with RF, FF (ASME B16.5) flanged connection  
♦ 4mm Perforated screen as standard  
♦ NDE 100% Visual as standard  
♦ Hydro static tested

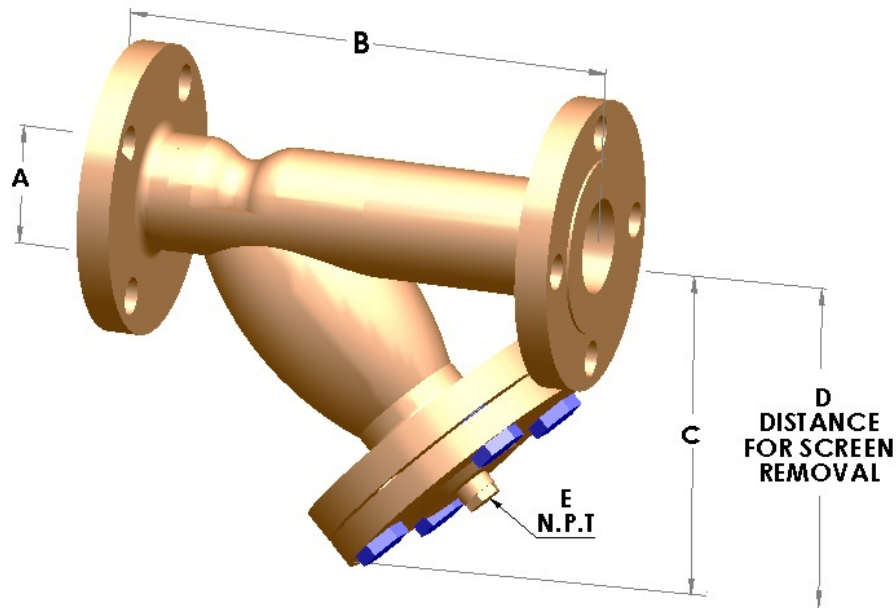
- Options      ♦ Special materials are available upon request  
♦ Designed to meet ASME standard  
♦ Drain/Vent connection is plugged (flanged upon request)  
♦ Special internal and external Coating/Lining upon request



Part List and Standard Materials (Flanged End)			
Part	Cast Iron	Ductile Iron	Bronze
Model	YRF125IB / YFF125IB	YRF250DIB / YFF250DIB	YRF150BB / YRF150BB
1. Body	A126-B	A395	B62
2. Cover	A126-B	A395	B62
3. Screen	316SS	316SS	316SS
4. Plug	A126-B	A126-B	B62
5. Gasket	Graphite	Graphite	Non-asbestos
6. Stud	A307-B	A307-B	Nonferrous
7. Nut	A563	A563	-

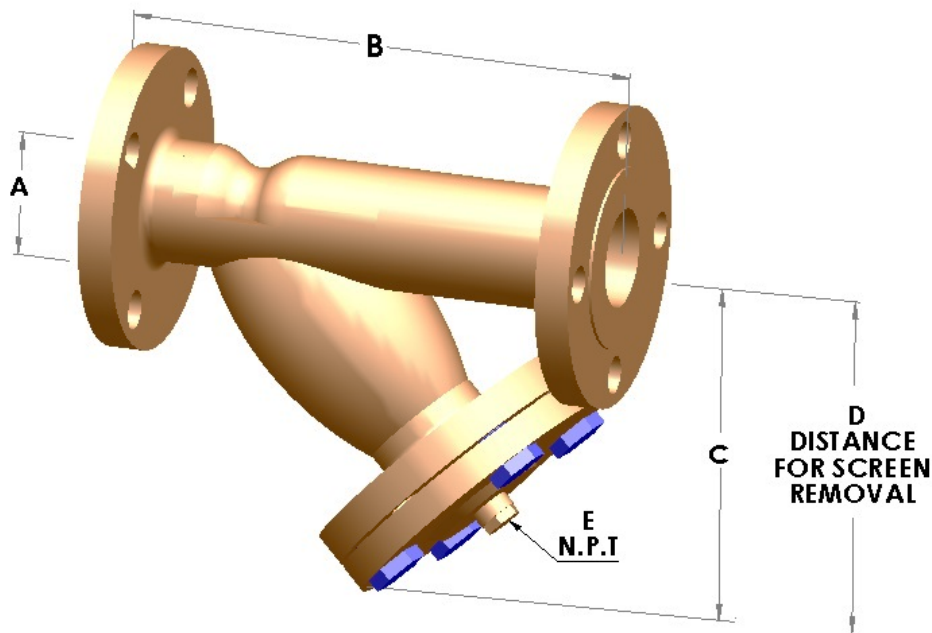
**Notes:**

1. Recommended spares for item no.3 and 5.



### Dimensional Data (Bronze Class 150LB)

Size inch (mm)	A inch (mm)	B inch (mm)	C inch (mm)	D inch (mm)	E NPT inch (mm)	Weight Lb. (kg)
2"	2,0	8.75	6.5	11.4	½	20
50	51	222.25	165.1	289.6	15	9
2 ½"	2,5	10.5	8.25	14.4	¾	32
65	64	266.7	209.6	365.8	20	15
3"	3,0	11.75	9	15.75	¾	36
80	76	298.5	228.6	400	20	16
4"	4,0	14.5	10.5	18.4	1 ½	61
100	102	368.3	266.7	467.4	40	28
6"	6,00	18.75	15	26.3	2	160
150	152	476.25	381	668	50	73
8"	8,0	24.5	17	29.75	2	210
200	203	622.3	431.8	755.7	50	95



**Dimensional Data (Iron Class 125LB & 250LB)**

Size inch (mm) Rating (Lb)	A inch (mm)		B inch (mm)		C inch (mm)		D inch (mm)		E NPT inch (mm)		Weight Lb. (kg)	
	125	250	125	250	125	250	125	250	125	250	125	250
2"	2	2	9	9	7.5	8	13.2	14	1/2	1/2	22	28
50	51	51	228.6	228.6	190.5	203.2	335.3	355.6	15	15	10	13
2 1/2"	2.5	2.5	11	11.5	9.5	10	16.6	17.5	1	1	35	38
65	64	64	279.4	292.1	241.3	254	421.6	444.5	25	25	16	17
3"	3	3	11.75	11.75	10	11	17.5	19.25	1	1	43	54
80	76	76	298.45	298.5	254	279.4	444.5	489	25	25	20	24
4"	4	4	14	14.75	11	12.5	19.25	21.9	1 1/4	1	75	110
100	102	102	355.6	374.7	279.4	317.5	489	566.3	32	25	34	50
5"	5	5	16.5	17.5	13	15	22.75	26.3	1 1/4	1 1/4	115	160
125	127	127	419.1	444.5	330.2	381	578	668	32	32	52	73
6"	6	6	18.75	19	14	18	24.5	31.5	1 1/2	1 1/2	154	224
150	152	152	476.25	482.6	355.6	457.2	622.3	800	40	40	70	102
8"	8	8	21.5	22	18	21	31.5	36.75	1 1/2	1 1/2	243	468
200	203	203	546.1	558.8	457.2	533.4	800	933.5	40	40	110	212
10"	10	10	26.25	27.5	21	23	36.75	40.25	2	2	490	590
250	254	254	666.75	698.5	533.4	584.2	933.5	1022.3	50	50	177	268
12"	12	12	30.25	31.5	24	27	42	47.25	2	2	650	890
300	305	305	768.35	800.1	609.6	685.8	1067	1200	50	50	295	404
14"	14.0	-	37.5	-	31	-	54.25	-	2	-	815	-
350	356	-	952.5	-	787.4	-	1378	-	50	-	370	-
16"	16.0	-	42.75	-	35	-	61.25	-	2	-	1224	-
400	406	-	1085.85	-	890	-	1556	-	50	-	555	-



Inline Flow Specialty  
Our Quality Defines Us

Inline Flow Specialty Pte Ltd  
39 Woodlands Close  
Mega@Woodlands #08-78  
Singapore 737856  
☎ +65 6365 5400 ☎ +65 6365 6455  
www.inlineflowspecialty.com

Document No. :  
IFS/STR\_Y05/CAT

Rev. : 0

## CAST IRON Y- STRAINER (THREADED CONNECTION)

RATING

250LB

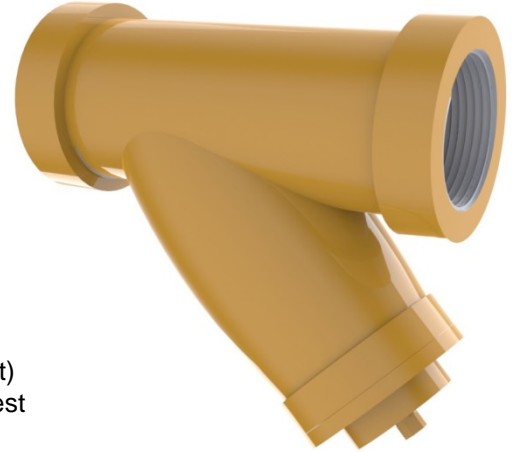
Sizes 1/4" – 3" Nominal Bore

Features

- ◆ Casted construction
- ◆ Available in NPT inlet/outlet connection
- ◆ 4mm Perforated screen as standard
- ◆ NDE 100% Visual as standard
- ◆ Hydro static tested

Options

- ◆ Special materials are available upon request
- ◆ Designed to meet ASME standard
- ◆ Drain/Vent connection is plugged (flanged upon request)
- ◆ Special internal and external Coating/Lining upon request



### Part List and Standard Materials

Part	Threaded Cover (TC)	Bolted Cover (BC)
Model	YNPT250ITC	YNPT250IBC
1. Body	A126-B	A126-B
2. Cover	A126-B	A126-B
3. Screen	316SS	316SS
4. Plug	A126-B	A126-B
5. Gasket	Non Asbestos	Non Asbestos

**Notes:**

1. Recommended Spares for item no.3 and 5.

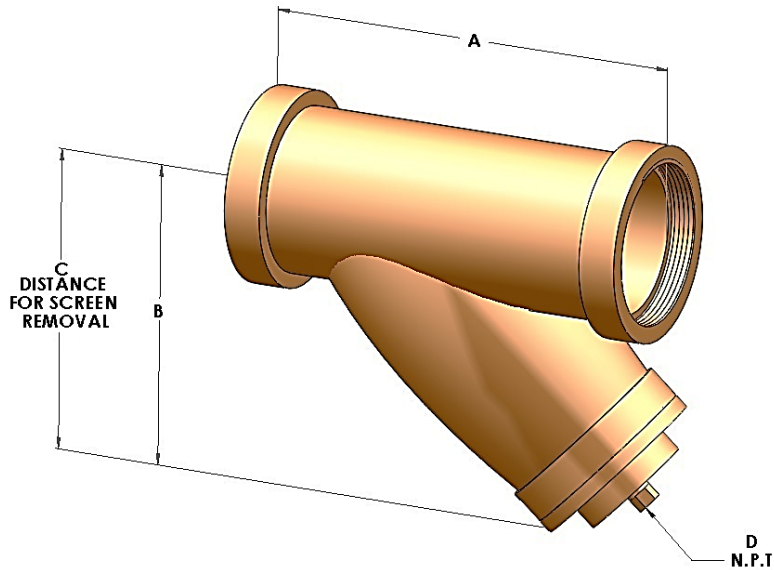


Inline Flow Specialty  
Our Quality Defines Us

Inline Flow Specialty Pte Ltd  
39 Woodlands Close  
Mega@Woodlands #08-78  
Singapore 737856  
☎ +65 6365 5400 ☎ +65 6365 6455  
www.inlineflowspecialty.com

Document No. :  
IFS/STR\_Y05/CAT

Rev. : 0



### Dimensional Data (Class 250LB)

Size inch (mm)	A inch (mm)		B inch (mm)		C inch (mm)		D NPT inch (mm)		Weight Lb. (kg)	
	TC	BC	TC	BC	TC	BC	TC	BC	TC	BC
¼"	3.25	-	3	-	5.25	-	¼	-	1.5	-
8	82.6	-	76.2	-	133.4	-	8	-	0.7	-
3/8"	3.25	-	3	-	5.25	-	¼	-	1.5	-
10	82.6	-	76.2	-	133.4	-	8	-	0.7	-
½"	3.25	-	3	-	5.25	-	¼	-	1.5	-
15	82.6	-	76.2	-	133.4	-	8	-	0.7	-
¾"	4	-	3.25	-	5.75	-	3/8	-	2.5	-
20	101.6	-	82.6	-	146	-	10	-	1.1	-
1"	4.25	-	3.25	-	5.7	-	3/8	-	3.0	-
25	108	-	82.6	-	144.8	-	10	-	1.4	-
1 ¼"	5.25	-	4.25	-	7.4	-	¾	-	5.5	-
32	133.4	-	108	-	188	-	20	-	2.5	-
1 ½"	6	-	4.75	-	8.3	-	¾	-	8.0	-
40	152.4	-	120.7	-	210.8	-	20	-	3.6	-
2"	7.25	-	5.75	-	10	-	1	-	13.0	-
50	184.2	-	146	-	254	-	25	-	5.9	-
2 ½"	9.5	9.5	6.75	8	11.8	14	1 ½	1	22.0	29
65	241.3	241.3	171.5	203.2	299.7	355.6	40	25	10.0	13
3"	10.25	10.25	7	9	12.25	15.75	1 ½	1	30.0	39
80	260.4	260.4	177.8	228.6	311.2	400	40	25	14.0	18

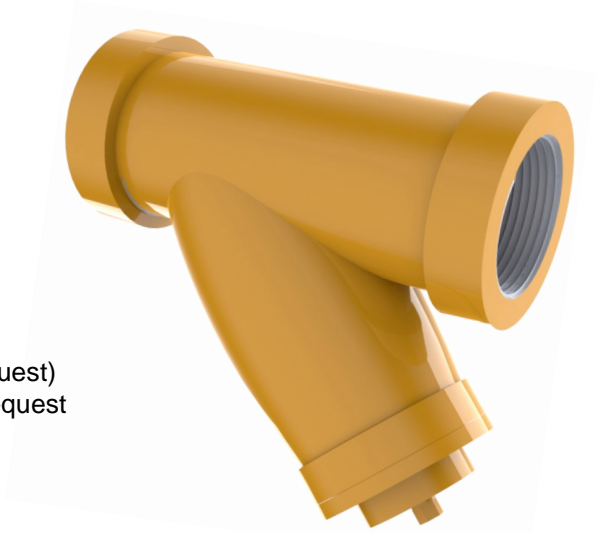
 <p><b>Inline Flow Specialty</b> Our Quality Defines Us</p>	<p><b>Inline Flow Specialty Pte Ltd</b> 39 Woodlands Close Mega@Woodlands #08-78 Singapore 737856 ☎ +65 6365 5400    ☎+65 6365 6455 <a href="http://www.inlineflowspecialty.com">www.inlineflowspecialty.com</a></p>	<b>Document No. :</b>
		<b>IFS/STR_Y06/CAT</b>
		<b>Rev. : 0</b>

<h2>CAST BRONZE Y- STRAINER</h2> <h3>(THREADED &amp; SWEAT - CONNECTION)</h3>	RATING
	<b>125LB-250LB</b>

Sizes        3/8" – 3" Nominal Bore

- Features    ♦ Casted construction  
 ♦ Available in NPT and Sweat inlet/outlet connection  
 ♦ 4mm Perforated screen as standard  
 ♦ NDE 100% Visual as standard  
 ♦ Hydro static tested

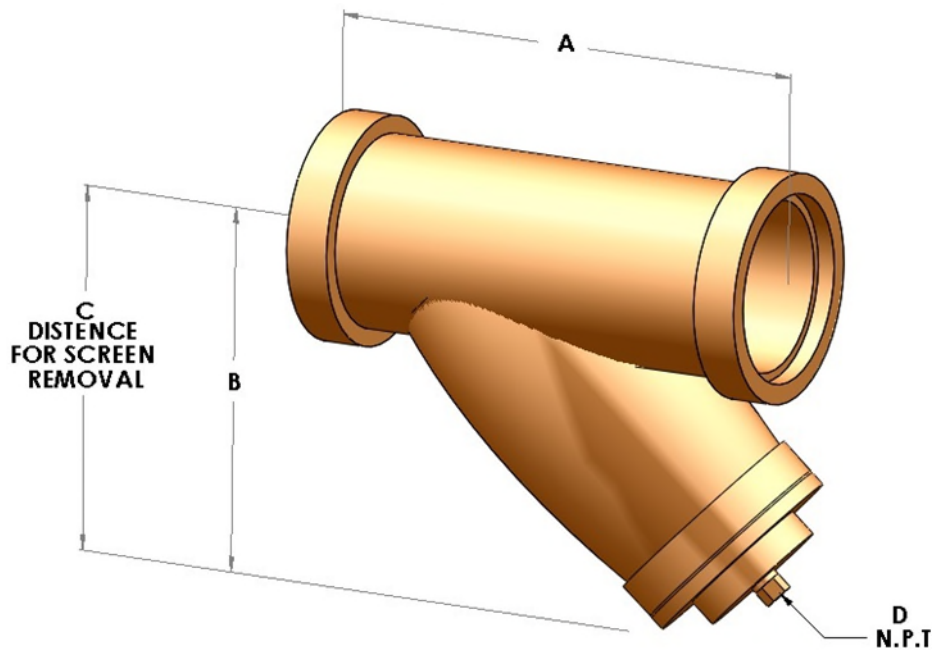
- Options     ♦ Special materials are available upon request  
 ♦ Designed to meet ASME standard  
 ♦ Drain/Vent connection is plugged (flanged upon request)  
 ♦ Special internal and external Coating/Lining upon request



Part List and Standard Materials		
Part	125LB	250LB
1. Body	B62	B62
2. Cover	B62	B62
3. Screen	316SS	316SS
4. Plug	B62	B62
5. Gasket	Teflon	Silicone

**Notes:**

- Recommended Spares for item no.3 and 5.



### Dimensional Data (Class 125LB & 250LB)

Size inch (mm)	A inch (mm)			B inch (mm)		C inch (mm)		D NPT inch (mm)		Weight Lb. (kg)	
	125T	125S	250	Y150	Y250	Y150	Y250	Y150	Y250	Y150	Y250
3/8"	3.25	3.5	-	3	-	5.25	-	3/8	-	1	-
10	82	88.9	-	76.2	-	133.35	-	10	-	0.45	-
1/2"	3.25	3.5	3.25	3	4	5.25	7	3/8	3/8	1	1.25
15	82	88.9	82	76.2	101.6	133.35	177.8	10	10	0.45	0.57
3/4"	4.25	4.25	3.75	4	6	7	10.5	3/8	3/8	1	1.5
20	108	108	95.25	101.6	152.4	177.8	266.7	10	10	0.45	0.68
1"	4.75	5.25	4.25	4.5	6	7.9	10.5	1/2	3/4	2	2
25	120.7	133.35	108	114.3	152.4	200.7	266.7	15	20	0.91	0.91
1 1/4"	5.5	6	5.25	5	7	8.75	12.25	1/2	3/4	2	3
32	139.7	152.4	133.35	127	177.8	222.25	311.2	15	20	0.91	1.36
1 1/2"	6.5	7	6	6	7.5	10.5	13.12	1/2	3/4	3	4
40	165.1	177.8	152.4	152.4	190.5	266.7	333.3	15	20	1.36	1.81
2"	7.75	8.75	8	7	9.5	12.25	-	1/2	3/4	7	7.5
50	196.9	222.25	203.2	177.8	241.3	311.2	-	15	20	3.18	3.40
2 1/2"	9.25	9.25	-	7.5	-	13.12	-	1/2	-	9.75	-
65	235	235	-	190.5	-	333.3	-	15	-	4.42	-
3"	10.5	10.5	-	8	-	14	-	1/2	-	13	-
80	266.7	266.7	-	203.2	-	355.6	-	15	-	5.90	-

## CAST STEEL Y- STRAINER (THREADED & SOCKET WELD CONNECTION)

RATING

**150LB-300LB**

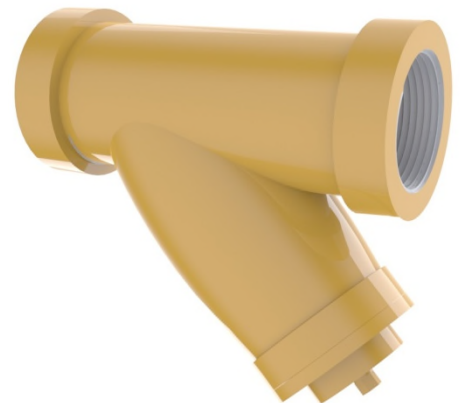
**Sizes**            ½" – 3" Nominal Bore

**Features**

- ◆ Casted construction
- ◆ Available in NPT and Socket Weld inlet/outlet connection
- ◆ 4mm Perforated screen as standard
- ◆ NDE 100% Visual as standard
- ◆ Hydro static tested

**Options**

- ◆ Special materials are available upon request
- ◆ Designed to meet ASME standard
- ◆ Drain/Vent connection is plugged (flanged upon request)
- ◆ Special internal and external Coating/Lining upon request



### Part List and Standard Materials

Part	Carbon Steel	Stainless Steel
1. Body	A216-WCB	A351-CF8M
2. Cover	A216-WCB	A351-CF8M
3. Screen	316SS	316SS
4. Plug	A105	A182-316
5. Gasket	Teflon	Teflon

**Notes:**

1. Recommended Spares for item no.3 and 5.

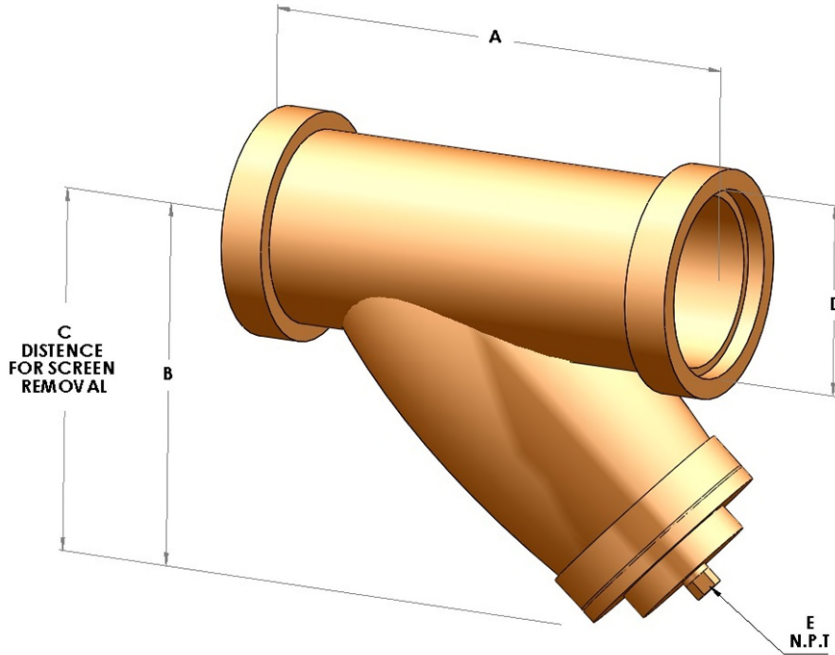


Inline Flow Specialty  
Our Quality Defines Us

Inline Flow Specialty Pte Ltd  
39 Woodlands Close  
Mega@Woodlands #08-78  
Singapore 737856  
☎ +65 6365 5400 ☎ +65 6365 6455  
www.inlineflowspecialty.com

Document No. :  
IFS/STR\_Y07/CAT

Rev. : 0



### Dimensional Data (Class 150LB & 300LB)

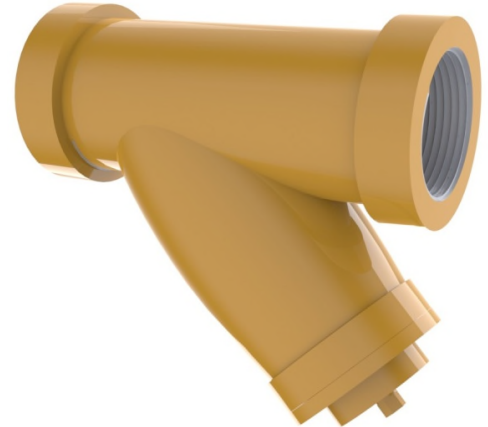
Size inch (mm)	A inch (mm)		B inch (mm)		C inch (mm)		D inch (mm)		E NPT inch (mm)		Weight Lb. (kg)	
	Y150	Y300	Y150	Y300	Y150	Y300	Y150	Y300	Y150	Y300	Y150	Y300
½"	-	2.5	-	2.25	-	3.94	-	0.855	-	3/8	-	0.5
(15)	-	63.5	-	57.15	-	100	-	21.72	-	10	-	0.22
¾"	-	3.25	-	3	-	5.25	-	1.065	-	3/8	-	0.82
(20)	-	82.6	-	76.2	-	133.35	-	27.05	-	10	-	0.37
1"	-	3.5	-	3.5	-	6.13	-	1.330	-	½	-	1.50
25	-	88.9	-	88.9	-	155.7	-	33.78	-	15	-	0.68
1 ¼"	-	4.25	-	4	-	7	-	1.675	-	½	-	2.00
32	-	108	-	101.6	-	177.8	-	42.55	-	15	-	0.90
1 ½"	-	4.75	-	4	-	7	-	1.915	-	½	-	2.75
40	-	120.7	-	101.6	-	177.8	-	48.64	-	15	-	1.25
2"	-	5.5	-	4.75	-	8.31	-	2.406	-	½	-	4.25
50	-	139.7	-	120.65	-	211	-	61.11	-	15	-	1.90
2 ½"	7.25	7.25	5.75	5.75	10	10	3	2.906	½	½	10	10.0
65	184.15	184.15	146	146	254	254	76.2	73.81	15	15	4.54	4.54
3"	8.25	8.25	6.5	6.5	11.4	11.4	3.6	3.535	½	½	14	14.0
80	209.6	209.6	165.1	165.1	289.6	289.6	91.5	89.79	15	15	6.35	6.35

<b>CAST STEEL Y- STRAINER</b> <b>(THREADED &amp; SOCKET WELD CONNECTION)</b>	<b>RATING</b> <b>600LB-1500LB</b>
---	--------------------------------------

**Sizes**            ½” – 2” Nominal Bore

- Features**
- ◆ Casted construction
  - ◆ Available in NPT and Socket Weld inlet/outlet connection
  - ◆ 4mm Perforated screen as standard
  - ◆ NDE 100% Visual as standard
  - ◆ Hydro static tested

- Options**
- ◆ Special materials are available upon request
  - ◆ Designed to meet ASME standard
  - ◆ Drain/Vent connection is plugged (flanged upon request)
  - ◆ Special internal and external Coating/Lining upon request



### Part List and Standard Materials

Part	Carbon Steel	Chrome Molly	Stainless Steel	Alloy 20	Carbon Steel Low Temp. (-50°F)
1.Body	A216-WCB	A217-WC6	A351-CF8M	A351-CN7M	A352-LCB
2.Cap	A216-WCB	A217-WC6	A351-CF8M	A351-CN7M	A352-LCB
3.Screen	304 SS	304 SS	304 SS	Alloy 20	304 SS
4.Plug	A105	A182-F11	A182-316	B462	A182-316
5.Gasket	304 SS Spiral Wound	304 SS Spiral Wound	304 SS Spiral Wound	A182-316 Wound	304 SS Spiral Wound

**Notes:**

1. Recommended Spares for item no.3 and 5.

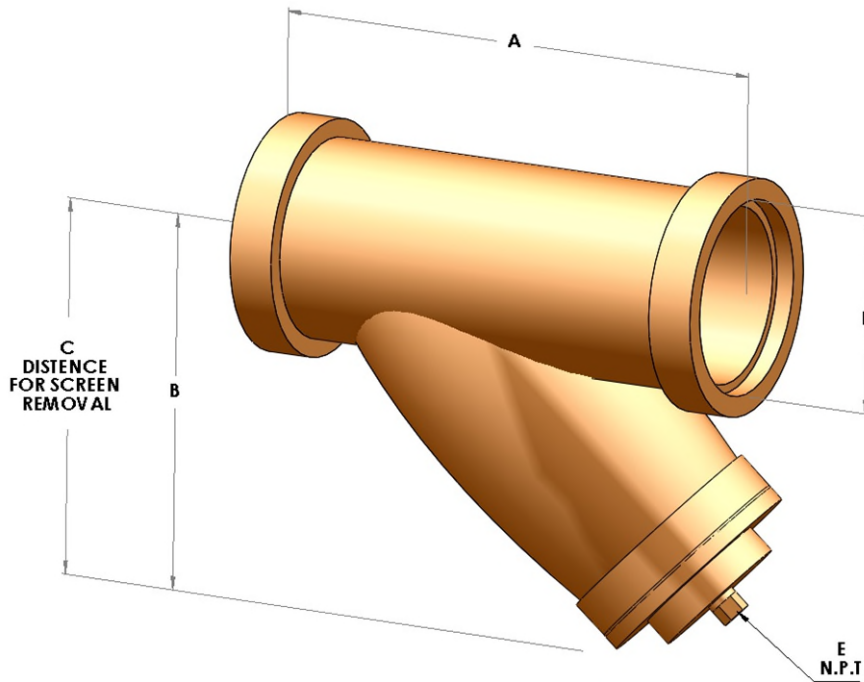


Inline Flow Specialty  
Our Quality Defines Us

Inline Flow Specialty Pte Ltd  
39 Woodlands Close  
Mega@Woodlands #08-78  
Singapore 737856  
☎ +65 6365 5400 ☎ +65 6365 6455  
www.inlineflowspecialty.com

Document No. :  
IFS/STR\_Y08/CAT

Rev. : 0



### Dimensional Data (Class 600LB & 1500LB)

Size inch (mm)	A inch (mm)		B inch (mm)		C inch (mm)		D inch (mm)	E NPT inch (mm)		Weight Lb. (kg)	
	Y600	Y1500	Y600	Y1500	Y600	Y1500		Y600	Y1500	Y600	Y1500
½"	4	5	3.5	5	4.375	6.25	0.855	¼	¼	2	2.5
15	101.6	127	88.9	127	111.2	158.8	21.72	8	8	0.9	1.1
¾"	5	5.5	4	5.25	5	6.6	1.065	3/8	3/8	3	4
20	127	139.7	101.6	133.4	127	167.7	27.05	10	10	1.4	1.8
1"	5.5	6.25	5	6.5	6.25	9.7	1.330	3/8	½	5	7
25	139.7	158.75	127	165.1	158.8	246.4	33.78	10	15	2.3	3.2
1 ¼"	6	-	5.25	-	6.6	-	1.675	¾	-	7	-
32	152.4	-	133.5	-	167.7	-	42.55	20	-	3.2	-
1 ½"	7	-	6	-	7.5	-	1.915	¾	-	10	-
40	177.8	-	152.4	-	190.5	-	48.64	20	-	4.5	-
2"	8	-	7	-	8.75	-	2.406	1	-	15	-
50	203.2	-	177.8	-	222.25	-	61.11	25	-	6.8	-

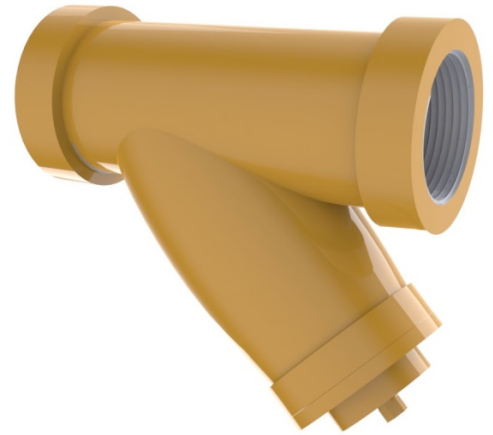
 <b>Inline Flow Specialty</b> <i>Our Quality Defines Us</i>	<b>Inline Flow Specialty Pte Ltd</b> 39 Woodlands Close Mega@Woodlands #08-78 Singapore 737856 ☎ +65 6365 5400    📠 +65 6365 6455 www.inlineflowspecialty.com	<b>Document No. :</b> <b>IFS/STR_Y09/CAT</b>
	<b>Rev. :</b>	<b>0</b>

<b>CAST STEEL Y- STRAINER</b> <b>(THREADED &amp; SOCKET WELD-WITH BOLTED COVER)</b>	<b>RATING</b>
	<b>600LB-1500LB</b>

Sizes            ½” – 3” Nominal Bore

- Features
- ◆ Casted construction
  - ◆ Available in NPT and Socket Weld inlet/outlet connection
  - ◆ 4mm Perforated screen as standard
  - ◆ NDE 100% Visual as standard
  - ◆ Hydro static tested

- Options
- ◆ Special materials are available upon request
  - ◆ Designed to meet ASME standard
  - ◆ Drain/Vent connection is plugged (flanged upon request)
  - ◆ Special internal and external Coating/Lining upon request



### Part List and Standard Materials

Part	Carbon Steel	Chrome Molly	Stainless Steel
1. Body	A216-WCB	A217-WC6	A351-CF8M
2. Cover	A216-WCB	A217-WC6	A351-CF8M
3. Screen	316SS	316SS	316SS
4. Gasket	304 SS Spiral Wound	304 SS Spiral Wound	304 SS Spiral Wound
5. Nut	A194-2H	A194-2H	A194-8
6. Stud	A193-B7	A193-B7	A193-B8-1

**Notes:**

1. Recommended Spares for item no.3 and 4.

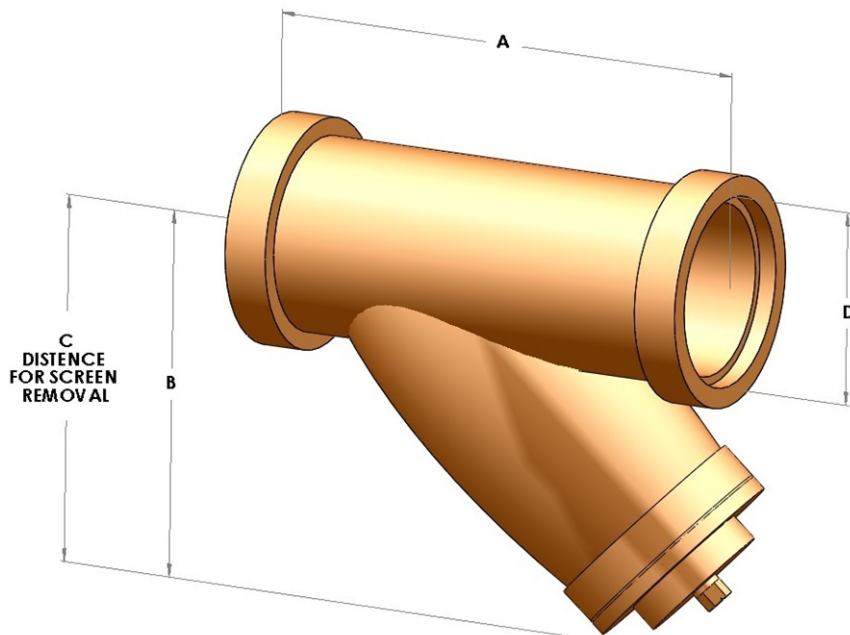


Inline Flow Specialty  
Our Quality Defines Us

Inline Flow Specialty Pte Ltd  
39 Woodlands Close  
Mega@Woodlands #08-78  
Singapore 737856  
☎ +65 6365 5400 ☎ +65 6365 6455  
www.inlineflowspecialty.com

Document No. :  
IFS/STR\_Y09/CAT

Rev. : 0



### Dimensional Data (Class 600LB & 1500LB)

Size inch (mm)	A inch (mm)		B inch (mm)		C inch (mm)		D inch (mm)		Weight Lb. (kg)	
	Y600	Y1500	Y600	Y1500	Y600	Y1500	Y600	Y1500	Y600	Y1500
½" (15)	-	4 101.6	-	3.25 82.6	-	4.5 114.3	-	0.855 21.72	-	7 3.2
¾" (20)	-	4.5 114.3	-	3.75 95.3	-	5.25 133.4	-	1.065 27.05	-	10 4.5
1" 25	-	5.25 133.4	-	4.75 120.7	-	5.75 146.1	-	1.330 33.78	-	16 7.3
1 ¼" 40	-	8.5 216	-	6.25 158.8	-	8.75 222.3	-	1.675 42.55	-	22 10
1 ½" 40	-	8.5 216	-	6.25 158.8	-	8.75 222.3	-	1.915 48.64	-	22 10
2" 50	-	9.5 241.3	-	7.25 184.2	-	10.25 260.4	-	2.406 61.11	-	30 13.6
2 ½" 65	14.75 375	-	9.25 235	-	10.5 266.7	-	2.91 74	-	63 29	-
3" 80	15.75 400	-	10.25 260.4	-	11.5 292.1	-	3.535 90	-	77 35	-

Inline Flow Specialty reserves the right to change, amend, modify, suspend, continue or terminate all or any part of this brochure and its content either in an individual case or in general, at any time without notice.