

FABRICATED BASKET STRAINER

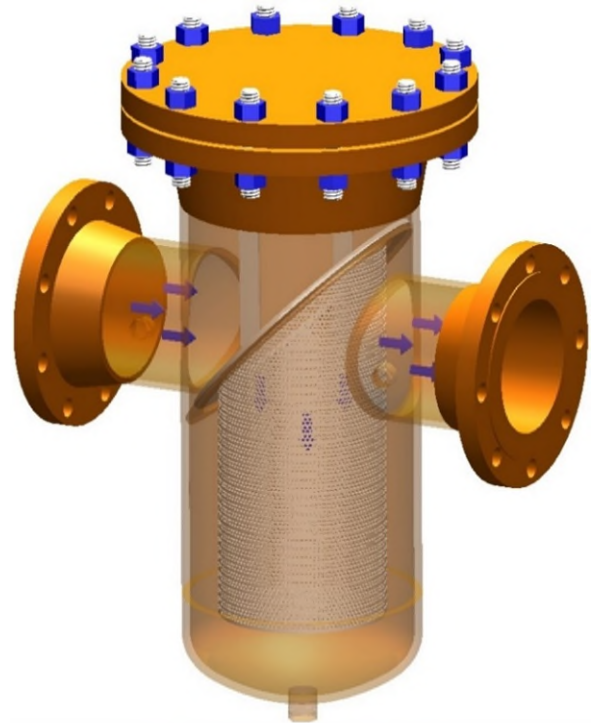
RATING

**150LB, 300LB &
600LB**

Sizes 2" – 24" Nominal Bore

- Features**
- ◆ Fabricated construction
 - ◆ Standard thru bolt cover design
 - ◆ 4mm Perforated screen as standard
 - ◆ NDE (RT, MT/PT) as per requirements
 - ◆ Hydro static tested

- Options**
- ◆ Larger sizes and special material are available upon request
 - ◆ Designed : ASME (B31.3 and/or Sect.VIII,Div.1)
 - ◆ Available in RF, FF or RTJ flanged (ASME B16.5), Butt-weld (ASME B16.25), API, etc
 - ◆ Customized designs are available
 - ◆ Drain/Vent connection is plugged (flanged upon request)
 - ◆ Special internal and external Coating/Lining upon request



Part List and Standard Materials

Part	Carbon Steel	Low Temp. Carbon Steel (-50°F)	Stainless Steel
1. Inlet/Outlet Flange	A105	A350-LF2	A182-F316
2. Body Ring	A36	A516-60	A240-316
3. Cover Flange	A105	A350-LF2	A182-F316
4. Cover Gasket	SPW w/ Graphite Filler		
5. Cover Studs	A193-B7	A193-B7	A193-B8M
6. Cover Nuts	A193-2H	A193-2H	A193-8M
7. Body Flange	A105	A350-LF2	A182-F316
8. Inlet/Outlet Pipe	A106-B	A333-6	A312-TP316
9. Body Pipe	A106-B	A333-6	A312-TP316
10. Basket Assembly	316 SS		
11. Bottom Cap	A234-WPB	A420-WPL6	A403-WP316
12. Drain	A105	A350-LF2	A182-F316
13. Vent (W/ Air Eliminator)	A105	A350-LF2	A182-F316
14. Differential	A105	A350-LF2	A182-F316
15. Davit Assembly	A36	A516-60	A240-316
16. Earthing Lug	A240-316		
17. Support Leg	A36	A516-60	A240-316
18. Lifting Lug	A36	A516-60	A240-316
19. Name Plate	A240-316		

Notes:

1. Recommended spares for item no. 4 and 10.
2. Upon request for item no. 13 to 17.
3. Available in Duplex Stainless Steel (UNS-S31803) and Super Duplex Stainless Steel (UNS-S32750) and other alloy material.



Inline Flow Specialty
Our Quality Defines Us

Inline Flow Specialty Pte Ltd

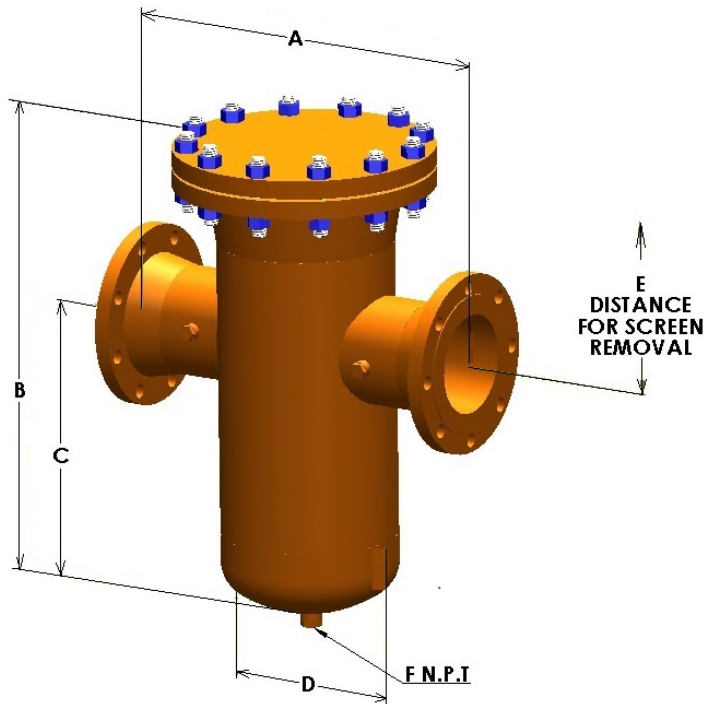
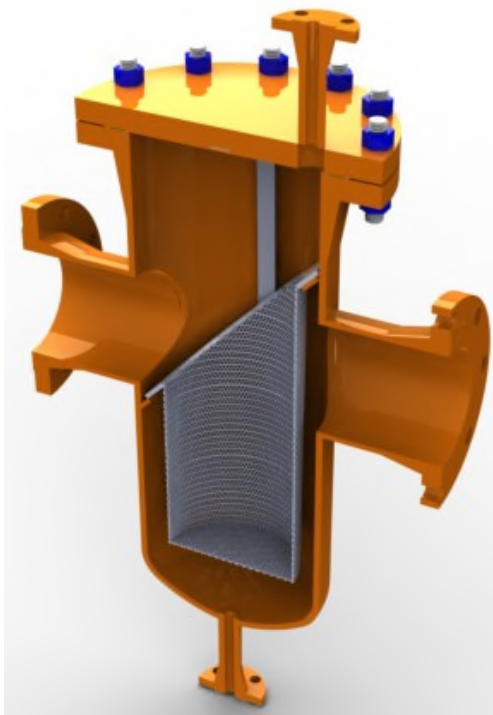
39 Woodlands Close
Mega@Woodlands #08-78
Singapore 737856
☎ +65 6365 5400 ☎ +65 6365 6455
www.inlineflowspecialty.com

Document No. :

IFS/STR_B01/CAT

Rev. : 0

Page : 2



Dimensional Data (150LB, 300LB and 600LB)

Size inch (mm) Rating (Lb)	A inch (mm)			B inch (mm)			C inch (mm)			D inch (mm)			E inch (mm)			Weight Lb. (kg.) Unit		
	150	300	600	150	300	600	150	300	600	150	300	600	150	300	600	150	300	600
2"	16	16	18	20	22	23	13	14	15	6.63	6.63	6.63	26	28	30	90	210	282
50	400	414	467	495	559	589	330	356	381	168	168	168	660	711	762	40.5	94.5	128
3"	18	19	24	23	25	29	14	15	16	8.62	8.62	8.62	28	30	32	139	287	465
80	460	490	606	578	638	732	356	381	406	219	219	219	711	762	813	63	130	211
4"	19	22	24	24	26	31	15	17	19	8.62	8.62	8.62	30	34	38	146	326	527
100	474	550	606	616	654	786	381	432	483	219	219	219	762	864	965	66	148	239
6"	24	25	30	29	32	39	19	22	24	10.75	10.75	10.75	38	44	48	205	496	869
150	606	640	760	725	812	993	483	559	610	273	273	273	965	1118	1219	93	225	394
8"	27	29	37	34	37	42	23	25	27	12.75	12.75	12.75	46	50	54	419	725	1226
200	673	740	940	871	928	1078	584	635	686	323.8	323.8	323.8	1168	1270	1371	190	329	556
10"	32	35	43	42	46	50	27	29	32	16	16	16	54	58	64	648	1151	1986
250	810	900	1080	1060	1161	1264	686	737	813	406.4	406.4	406.4	1371	1473	1626	294	522	901
12"	35	39	44	47	59	60	30	34	36	18	18	18	60	68	72	1204	1614	2467
300	890	1000	1118	1189	1491	1534	762	864	914	457.2	457.2	457.2	1524	1727	1829	546	732	1119
14"	37	42	46	53	59	62	35	37	40	20	20	20	70	74	80	1598	1836	2829
350	940	1054	1168	1339	1504	1581	889	940	1016	508	508	508	1778	1880	2032	725	833	1283
16"	42	48	54	58	67	74	39	41	43	24	24	24	78	82	86	1962	2903	4936
400	1068	1208	1372	1479	1692	1889	991	1041	1092	609.6	609.6	609.6	1981	2083	2184	890	1317	2239
18"	47	49	54	63	76	75	42	44	46	24	24	24	84	88	92	2198	3139	4290
450	1182	1232	1372	1606	1922	1915	1067	1118	1168	609.6	609.6	609.6	2134	2235	2337	997	1424	1931
20"	52	53	61	69	74	76	48	50	53	30	30	30	96	100	106	3197	4680	6195
500	1322	1356	1540	1742	1886	1937	1219	1270	1346	762	762	762	2438	2540	2692	1450	2123	2788
24"	64	65	68	81	88	91	55	58	60	36	36	36	110	116	120	4495	7650	11126
600	1626	1658	1720	2046	2222	2306	1397	1473	1524	914.4	914.4	914.4	2794	2946	3048	2039	3470	5007

Note: Dimensions are subject to change. Clients are required to request for drawing prior to purchase.

Inline Flow Specialty reserves the right to change, amend, modify, suspend, continue or terminate all or any part of this brochure and its content either in an individual case or in general, at any time without notice.