

FABRICATED Y-STRAINER

RATING

150LB, 300LB & 600LB

Sizes 2" – 24" Nominal Bore

- Features
- ◆ Fabricated construction
 - ◆ Standard thru bolt cover design
 - ◆ 4mm Perforated screen as standard
 - ◆ NDE (RT, MT/PT) as per requirements
 - ◆ Hydro static tested

- Options
- ◆ Larger sizes and special material are available upon request
 - ◆ Designed : ASME (B31.3 and/or Sect.VIII,Div.1)
 - ◆ Available in RF, FF or RTJ flanged (ASME B16.5), Butt-weld end (ASME B16.25), API, etc
 - ◆ Customized and higher rating designs are available upon request
 - ◆ Drain/Vent connection is plugged (flanged upon request)
 - ◆ Special internal and external Coating/Lining upon request

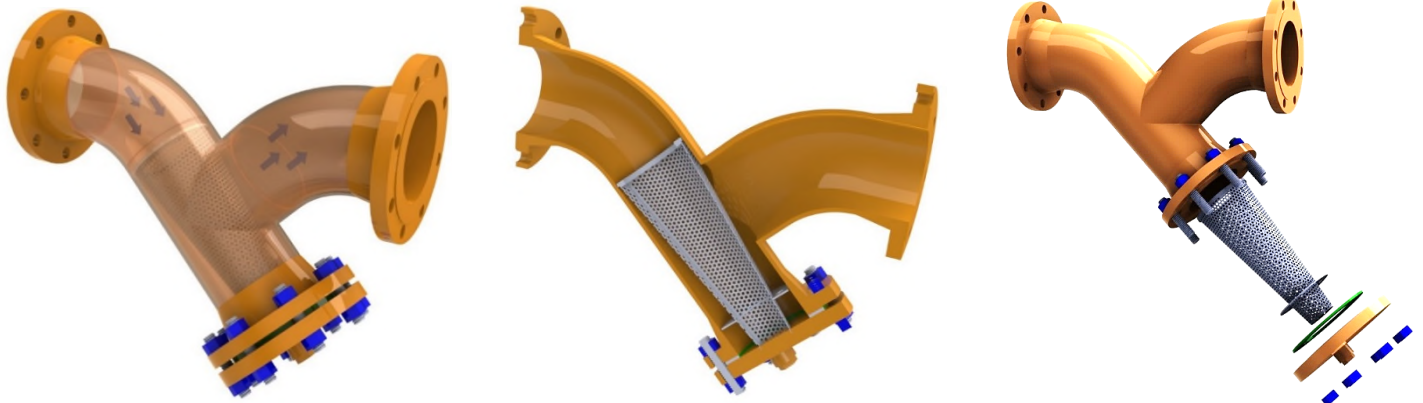


Part List and Standard Materials (Flanged End)

Part	Carbon Steel	Low Temp. Carbon Steel (-50°F)	Stainless Steel
1. Inlet/Outlet Flange	A105	A350-LF2	A182-F316
2. Body Elbow	A234-WPB	A420-WPL6	A403-WP316
3. Body Ring	A36	A516-70	A240-SS316
4. Body Tee	A234-WPB	A420-WPL6	A182-F316
5. Basket Assembly	316SS		
6. Body Flange	A105	A350-LF2	A182-F316
7. Cover Flange	A105	A350-LF2	A182-F316
8. Cover Studs	A193-B7	A193-B7	A193 B8M
9. Cover Nuts	A194-2H	A194-2H	A194-8M
10. Cover Gasket	SPW w/ Graphite Filler		
11. Drain	A105	A350-LF2	A182-F316
12. Name Plate	A240-SS316		

Notes:

1. Recommended Spares for item no. 5 and 10
2. Available in Duplex Stainless Steel (UNS-S31803) and Super Duplex Stainless Steel (UNS-S32750) and other alloy material.





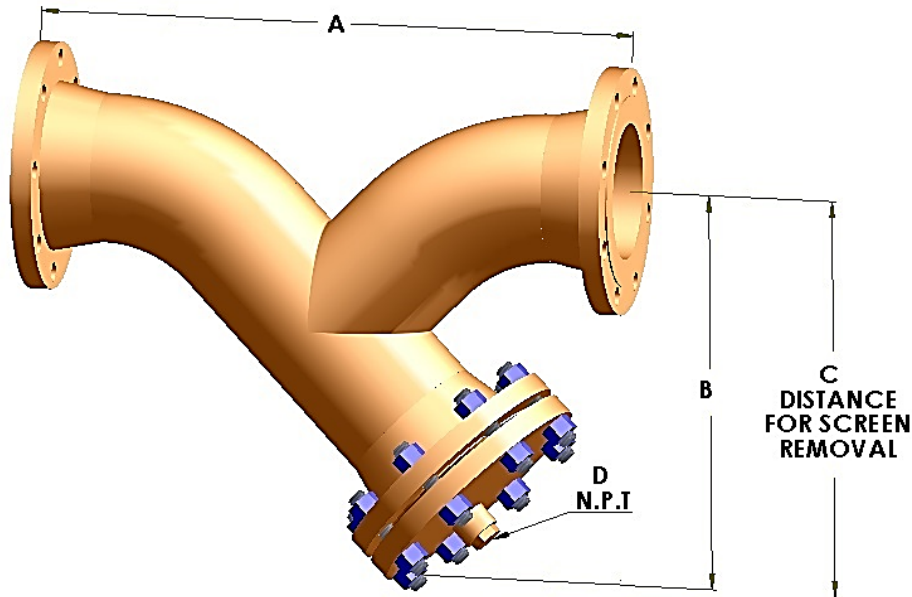
Inline Flow Specialty
Our Quality Defines Us

Inline Flow Specialty Pte Ltd

39 Woodlands Close
Mega@Woodlands #08-78
Singapore 737856
☎ +65 6365 5400 ☎ +65 6365 6455
www.inlineflowspecialty.com

Document No. :
IFS/STR_Y01/CAT

Rev. : **0**



Dimensional Data 2"-24" (150LB, 300LB and 600LB)

Size inch (mm) Rating (Lb)	A inch (mm)			B inch (mm)			C inch (mm)			D inch (mm) NPT	Weight Lb. (kg.)		
	150	300	600	150	300	600	150	300	600		150	300	600
2"	13,2	13,7	14,5	9,02	9,5	10,0	12,4	12,6	13,2	½	34	42	55
50	336	349	368	229	240	254	315	320	335	15	16	19	25
3"	17,1	17,8	18,6	11,5	12,2	12,7	16,3	16,3	17	1	67	75	99
80	434	453	472	293	310	322	415	415	430	25	30	34	45
4"	20,4	21,1	22,9	13,7	14,5	15,7	19,3	19,5	20,9	1 ½	93	119	190
100	517	537	581	347	368	399	490	495	530	40	42	54	86
6"	27,8	28,5	30,5	17,8	18,9	21	25,6	26,4	27,2	1 ½	166	229	377
150	705	724	775	451	479	532	650	670	690	40	75	104	171
8"	35	35,8	38	22	23,1	25	25,6	32,1	32,1	2	282	406	631
200	888	908	964	557	586	634	650	815	815	50	128	184	286
10"	41,4	42,6	45,9	25,9	27,3	30	37,8	38,2	40,2	2	463	628	981
250	1051	1082	1165	657	694	761	960	970	1020	50	210	285	445
12"	48,7	50,0	52,4	30,3	31,8	31,8	44,1	44,7	44,7	2	463	862	1219
300	1238	1270	1333	770	808	808	1120	1135	1135	50	210	391	553
14"	55,4	56,7	59	33,8	35,4	37,1	48,8	49,6	50,8	2	829	1171	1347
350	1408	1439	1497	858	900	943	1240	1260	1290	50	376	531	611
16"	61,1	62,6	65,6	37	38,8	41,1	53,2	54	55,9	2	829	1517	2330
400	1552	1590	1667	939	985	1044	1350	1370	1420	50	376	688	1057
18"	68,5	46,4	72,5	41,0	43,2	45,2	59,7	60,4	62	2	1305	1938	2846
450	1740	1178	1842	1042	1096	1149	1515	1535	1575	50	592	879	1291
20"	75,3	76,7	79,4	45,1	47,2	49,6	65,8	66,3	62	2	1614	1614	3618
500	1912	1947	2017	1146	1199	1259	1670	1685	1575	50	732	732	1641
24"	87,2	88,5	91,8	51,6	75,6	56,7	74,8	75,6	77,6	2	2196	2196	5029
600	2216	2248	2331	1311	1920	1439	1900	1920	1970	50	996	996	2281

Note : Dimensions are subject to change. Clients are required to request for drawing prior to purchase.

Inline Flow Specialty reserves the right to change, amend, modify, suspend, continue or terminate all or any part of this brochure and its content either in an individual case or in general, at any time without notice.