

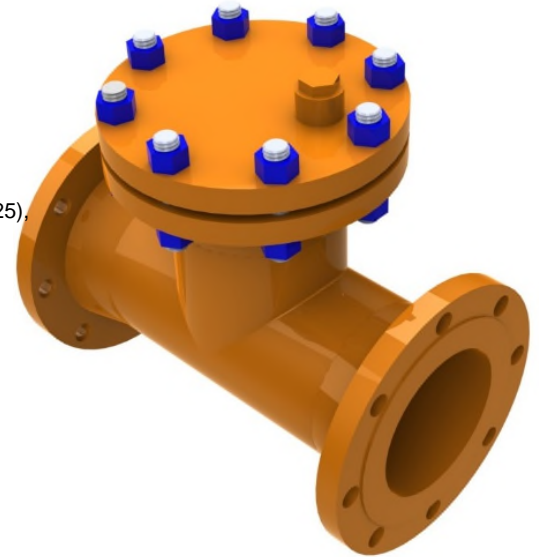
FABRICATED TEE STRAINER

RATING

150LB, 300LB & 600LB

Sizes 2" – 24" Nominal Bore

- Features**
- ◆ Fabricated construction
 - ◆ Standard thru bolt cover design
 - ◆ 4mm Perforated screen as standard
 - ◆ NDE (RT, MT/PT) as per requirements
 - ◆ Hydro static tested
- Options**
- ◆ Larger sizes and special material are available upon request
 - ◆ Designed : ASME (B31.3 and/or Sect.VIII,Div.1)
 - ◆ Available in RF, FF or RTJ flanged (ASME B16.5), Butt-weld (ASME B16.25), API, etc
 - ◆ Customized and higher rating designs are available upon request
 - ◆ Drain/Vent connection is plugged (flanged upon request)
 - ◆ Special internal and external Coating/Lining upon request

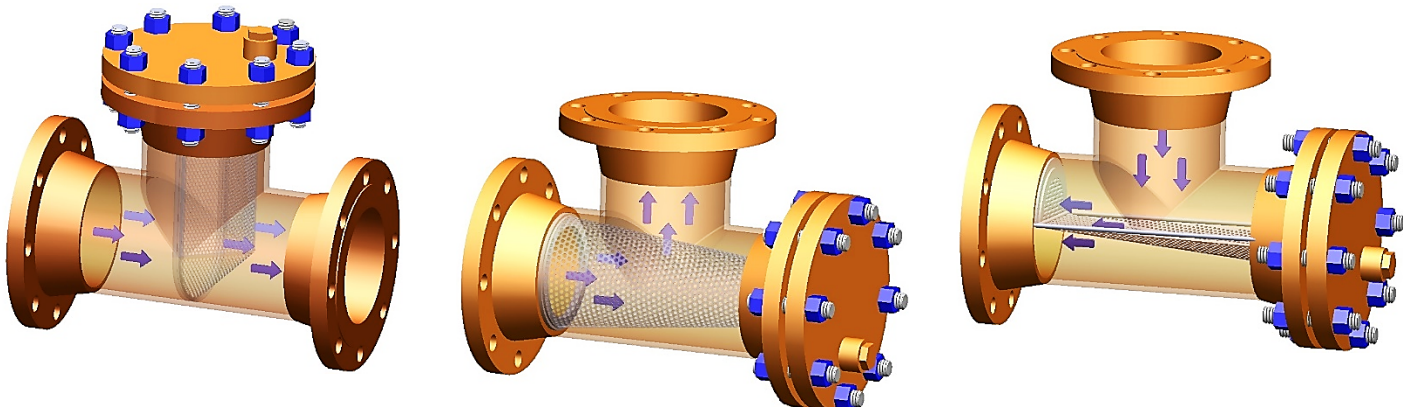


Part List and Standard Materials

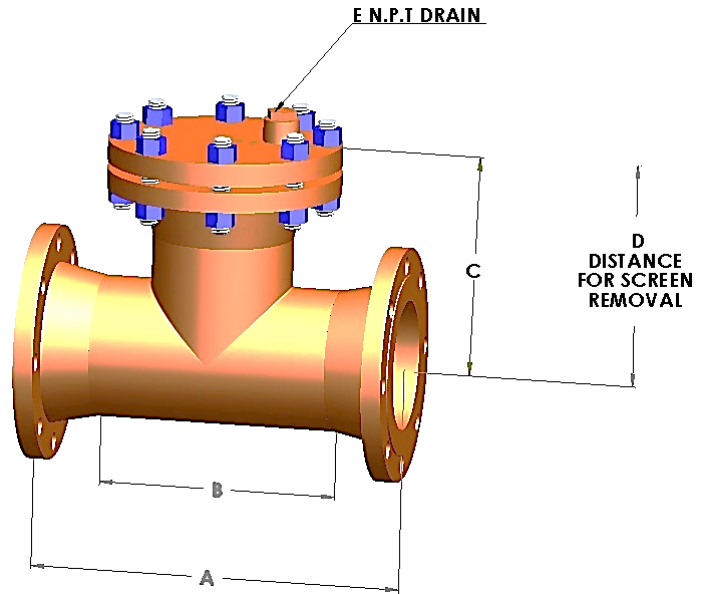
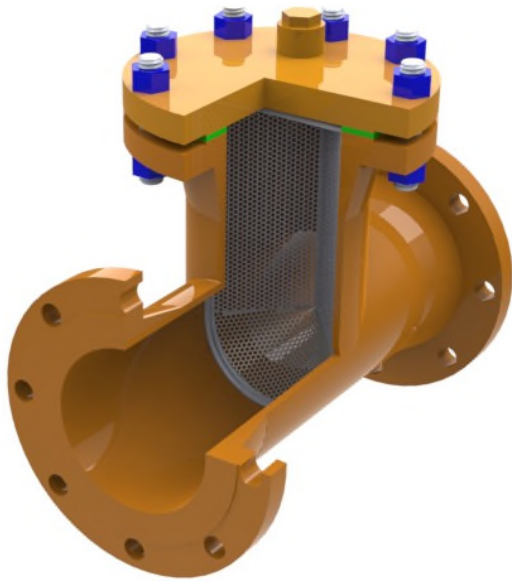
Part	Carbon Steel	Low Temp. Carbon Steel (-50°F)	Stainless Steel
1. Strainer Body	A234-WCB	A420-WPL6	A403-WP316
2. Guide Rod	A36	A36	A240-SS316
3. Cover Body	A105	A350-LF2	A182-F316
4. Cover Gasket	SPW w/ Graphite Filler		
5. Cover studs	A193-B7	A193-B7	A193-B8M
6. Cover Nuts	A194-2H	A194-2H	A194-8M
7. Body Flange	A105	A350-LF2	A182-F316
8. Drain	A105	A350-LF2	A182-F316
9. Inlet/Outlet Flange	A105	A350-LF2	A182-F316
10. Screen Assembly	316 SS		
11. Davit Arm ²	A36	A36	316 SS
12. Lifting Lug	A36	A36	A240-SS316
13. Name Plate	316 SS	316 SS	A240-SS316

Notes:

1. Recommended Spares for item no. 4 and 10
2. When required and when used for item no.11
3. Available in Duplex Stainless Steel (UNS-S31803) and Super Duplex Stainless Steel (UNS-S32750) and other alloy material.



TYPE 1



Dimensional Data 2"-24" (150LB, 300LB and 600LB) – TYPE 1

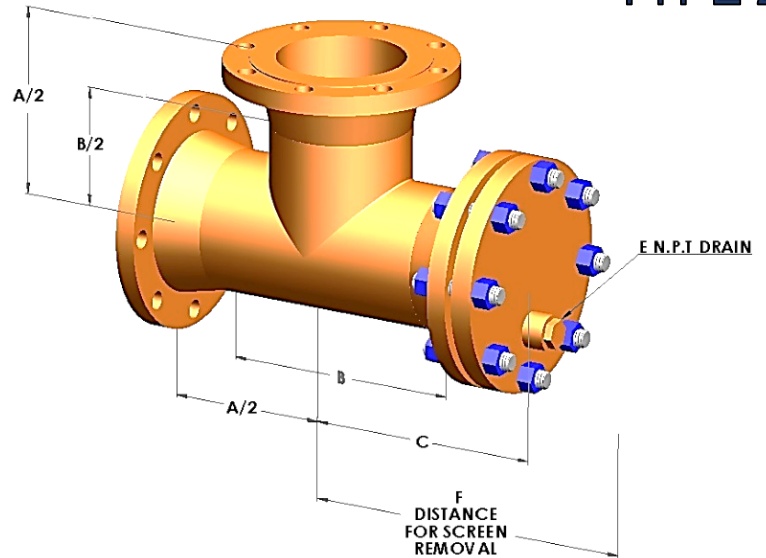
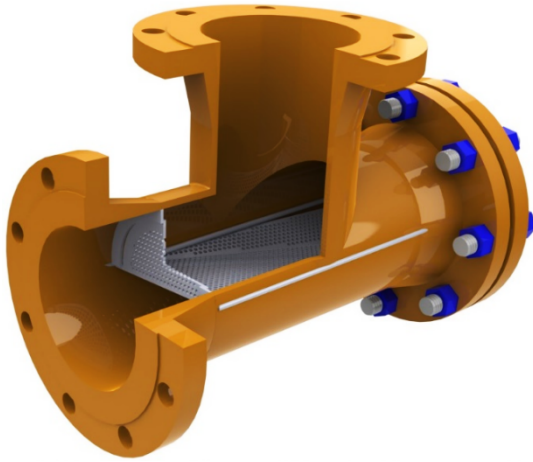
Size inch (mm) Rating (lb)	A inch (mm)			B inch (mm)			C inch (mm)			D inch (mm)			E inch (mm)			Weight Lb. (kg) Unit		
	150	300	600	150	300	600	150	300	600	150	300	600	150	300	600	150	300	600
2"	10	11	11	5	5	5	6	6	7	11	12	13	½	½	½	29	42	55
50	254	267	286	127	127	127	151	161	179	279	292	321	15	15	15	13	19	25
3"	12	13	14	7	7	7	7	8	9	14	9	15	1	1	1	53	73	99
80	311	330	349	171	171	171	184	198	217	360	227	368	25	25	25	24	33	45
4"	14	15	17	8	8	8	8	9	10	16	15	17	1 ½	1 ½	1 ½	79	126	190
100	362	381	425	210	210	210	210	227	262	413	368	432	40	40	40	36	57	86
6"	18	19	21	11	11	11	10	11	13	21	22	25	1 ½	1 ½	1 ½	141	225	366
150	464	483	533	286	286	286	262	283	325	540	559	625	40	40	40	64	102	166
8"	22	23	25	14	14	14	12	13	15	26	27	29	2	2	2	229	351	580
200	559	578	635	356	356	356	312	335	384	660	679	745	50	50	50	104	159	263
10"	25	26	30	17	17	17	14	15	18	30	31	35	2	2	2	326	496	902
250	635	666	749	432	432	432	352	386	449	762	794	886	50	50	50	148	225	409
12"	29	30	34	20	20	20	6	17	19	11	12	13	2	2	2	500	765	1151
300	737	768	863	508	508	508	151	440	493	279	292	321	50	50	50	227	347	522

Dimensional Data 2"-24" (150LB, 300LB and 600LB) – TYPE 1

Size inch (mm) Rating (lb)	A inch (mm)			B inch (mm)			C inch (mm)			D inch (mm)			E inch (mm)			Weight Lb. (kg.) Unit		
	150	300	600	150	300	600	150	300	600	150	300	600	150	300	600	150	300	600
14" 350	32 813	33 844	36 902	22 559	22 559	22 559	7 184	19 477	21 528	16 413	14 227	15 368	2 50	2 50	2 50	710 322	1069 485	14 67 2
16" 400	34 864	36 902	39 978	24 610	24 610	24 610	8 210	20 513	23 576	14 360	15 368	17 432	2 50	2 50	2 50	860 390	1321 599	19 88 5
18" 450	38 965	40 100 3	42 106 7	27 686	27 686	27 686	10 262	22 567	25 627	21 540	22 559	25 625	2 50	2 50	2 50	1069 485	1702 772	24 52 11 12
20" 500	41 105 1	43 108 6	46 115 6	30 762	30 762	30 762	12 312	24 611	27 678	26 660	27 679	29 745	2 50	2 50	2 50	1351 613	1351 613	31 53 14 30
24" 600	46 1168	47 1200	51 1283	34 864	34 864	34 864	14 352	27 674	30 754	30 762	31 794	35 886	2 50	2 50	2 50	2101 953	2101 953	46 03 20 88

Note : Dimensions are subject to change. Clients are required to request for drawing prior to purchase.

TYPE 2

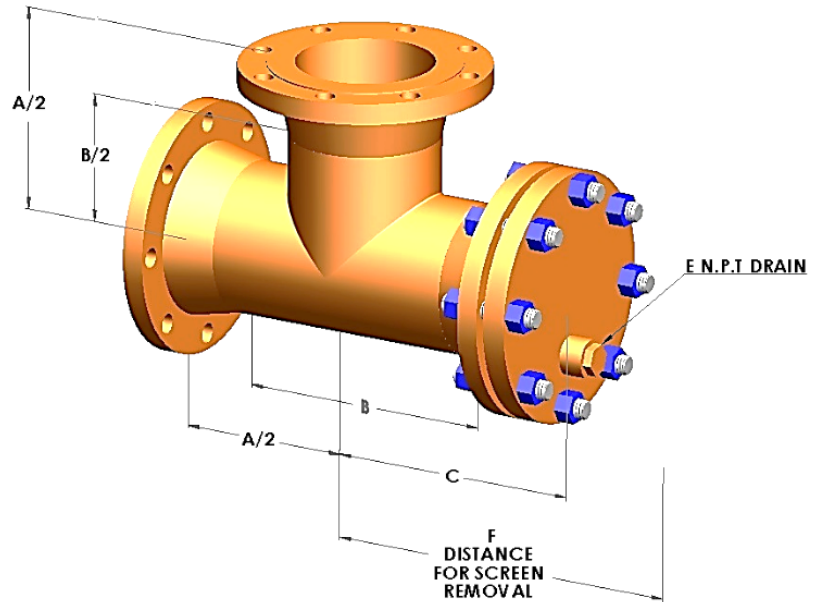
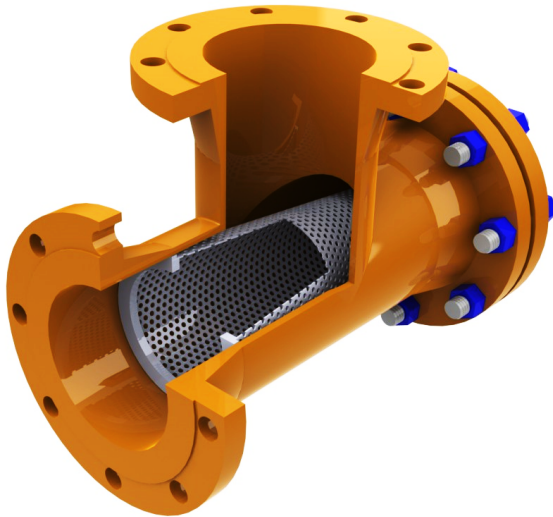


Dimensional Data 2"-24" (150LB, 300LB and 600LB) – TYPE 2

Size inch (mm) Rating (lb)	A inch (mm)			B inch (mm)			C inch (mm)			E inch (mm)			F inch (mm)			Weight Lb. (kg.) Unit		
	150	300	600	150	300	600	150	300	600	150	300	600	150	300	600	150	300	600
2"	10	11	11	½	½	½	6	6	7	½	½	½	13	13	14	29	42	55
50	254	267	286	15	15	15	151	16	179	15	15	15	318	330	349	13	19	25
3"	12	13	14	1	1	1	7	8	9	1	1	1	15	16	17	53	73	99
80	311	330	349	25	25	25	184	19	217	25	25	25	387	406	425	24	33	45
4"	14	15	17	1 ½	1	1 ½	8	9	10	1 ½	1 ½	1 ½	18	19	21	79	126	190
100	362	381	425	40	40	40	210	22	262	40	40	40	467	486	530	36	57	86
6"	18	19	21	1 ½	1	1 ½	10	11	13	1 ½	1 ½	1 ½	24	25	26	141	225	366
150	464	483	533	40	40	40	262	28	325	40	40	40	606	625	676	64	102	166
8"	22	23	25	2	2	2	12	13	15	2	2	2	29	30	32	229	351	580
200	559	578	635	50	50	50	312	33	384	50	50	50	737	756	813	104	159	263
10"	25	26	30	2	2	2	14	15	18	2	2	2	34	35	38	326	496	902
250	635	666	749	50	50	50	352	38	449	50	50	50	851	883	965	148	225	409
12"	29	30	34	2	2	2	6	17	19	2	2	2	39	40	43	500	765	1151
300	737	768	863	50	50	50	151	44	493	50	50	50	991	1022	1086	227	347	522
14"	32	33	36	2	2	2	7	19	21	2	2	2	43	44	47	710	1069	1482
350	813	844	902	50	50	50	184	47	528	50	50	50	1092	1124	1181	322	485	672
16"	34	36	39	2	2	2	8	20	23	2	2	2	46	48	51	860	1321	1951
400	864	902	978	50	50	50	210	51	576	50	50	50	1168	1207	1283	390	599	885
18"	38	40	42	2	2	2	10	22	25	2	2	2	52	53	56	1069	1702	2452
450	965	100	106	50	50	50	262	56	627	50	50	50	1308	1346	1410	485	772	1112
20"	41	43	46	2	2	2	12	24	27	2	2	2	56	48	61	1351	1351	3153
500	105	108	115	50	50	50	312	61	678	50	50	50	1432	1213	1537	613	613	1430
24"	46	47	51	2	2	2	14	27	30	2	2	2	63	64	68	2101	2101	4603
600	116	120	128	50	50	50	352	67	754	50	50	50	1600	1632	1715	953	953	2088

Note : Dimensions are subject to change. Clients are required to request for drawing prior to purchase.

TYPE 3



Dimensional Data 2"-24" (150LB, 300LB and 600LB) – TYPE 3

Size inch (mm) Rating (lb)	A inch (mm)			B inch (mm)			C inch (mm)			E inch (mm)			F inch (mm)			Weight Lb. (kg.) Unit		
	150	300	600	150	300	600	150	300	600	150	300	600	150	300	600	150	300	600
2"	10	11	11	½	½	½	6	6	7	½	½	½	13	13	14	29	42	55
50	254	267	286	15	15	15	151	16	179	15	15	15	318	330	349	13	19	25
3"	12	13	14	1	1	1	7	8	9	1	1	1	15	16	17	53	73	99
80	311	330	349	25	25	25	184	19	217	25	25	25	387	406	425	24	33	45
4"	14	15	17	1 ½	1	1 ½	8	9	10	1 ½	1 ½	1 ½	18	19	21	79	126	190
100	362	381	425	40	40	40	210	22	262	40	40	40	467	486	530	36	57	86
6"	18	19	21	1 ½	1	1 ½	10	11	13	1 ½	1 ½	1 ½	24	25	26	141	225	366
150	464	483	533	40	40	40	262	28	325	40	40	40	606	625	676	64	102	166
8"	22	23	25	2	2	2	12	13	15	2	2	2	29	30	32	229	351	580
200	559	578	635	50	50	50	312	33	384	50	50	50	737	756	813	104	159	263
10"	25	26	30	2	2	2	14	15	18	2	2	2	34	35	38	326	496	902
250	635	666	749	50	50	50	352	38	449	50	50	50	851	883	965	148	225	409
12"	29	30	34	2	2	2	6	17	19	2	2	2	39	40	43	500	765	1151
300	737	768	863	50	50	50	151	44	493	50	50	50	991	1022	1086	227	347	522
14"	32	33	36	2	2	2	7	19	21	2	2	2	43	44	47	710	1069	1482
350	813	844	902	50	50	50	184	47	528	50	50	50	1092	1124	1181	322	485	672
16"	34	36	39	2	2	2	8	20	23	2	2	2	46	48	51	860	1321	1951
400	864	902	978	50	50	50	210	51	576	50	50	50	1168	1207	1283	390	599	885
18"	38	40	42	2	2	2	10	22	25	2	2	2	52	53	56	1069	1702	2452
450	965	100	106	50	50	50	262	56	627	50	50	50	1308	1346	1410	485	772	1112
20"	41	43	46	2	2	2	12	24	27	2	2	2	56	48	61	1351	1351	3153
500	105	108	115	50	50	50	312	61	678	50	50	50	1432	1213	1537	613	613	1430
24"	46	47	51	2	2	2	14	27	30	2	2	2	63	64	68	2101	2101	4603
600	116	120	128	50	50	50	352	67	754	50	50	50	1600	1632	1715	953	953	2088

Note : Dimensions are subject to change. Clients are required to request for drawing prior to purchase.