



Inline Flow Specialty
Our Quality Defines Us

Inline Flow Specialty Pte Ltd

39 Woodlands Close
Mega@Woodlands #08-78
Singapore 737856
☎ +65 6365 5400 ☎ +65 6365 6455
www.inlineflowspecialty.com

Document No. :

IFS/STR_TEMP01/CAT

Rev. : 0

Page : 2

FABRICATED TEMPORARY STRAINER

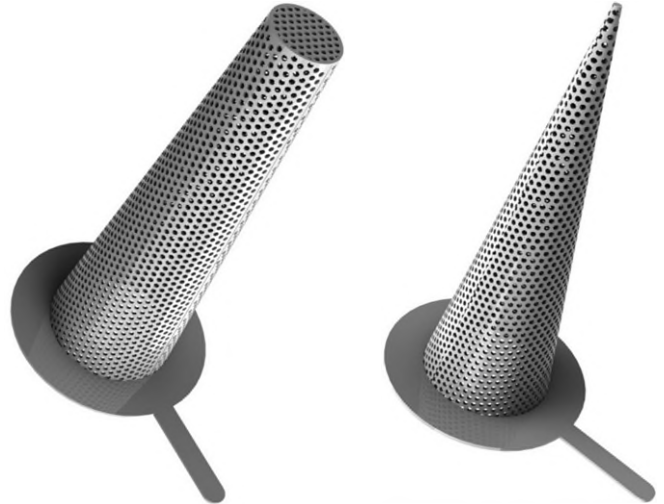
RATING

150LB, 300LB, 600LB,
900LB & 1500LB

Sizes ¾" – 24" Nominal Bore

- Features
- ◆ Fabricated construction
 - ◆ Available in plate, basket, or conical configuration
 - ◆ 4mm Perforated screen as standard
 - ◆ 100% Visual NDE as standard

- Options
- ◆ Larger sizes are available upon request
 - ◆ Special materials are available upon request
 - ◆ Designed : ASME (B31.3 and/or Sect.VIII,Div.1)
 - ◆ Available in RF,FF or RTJ flanged (ASME B16.5)

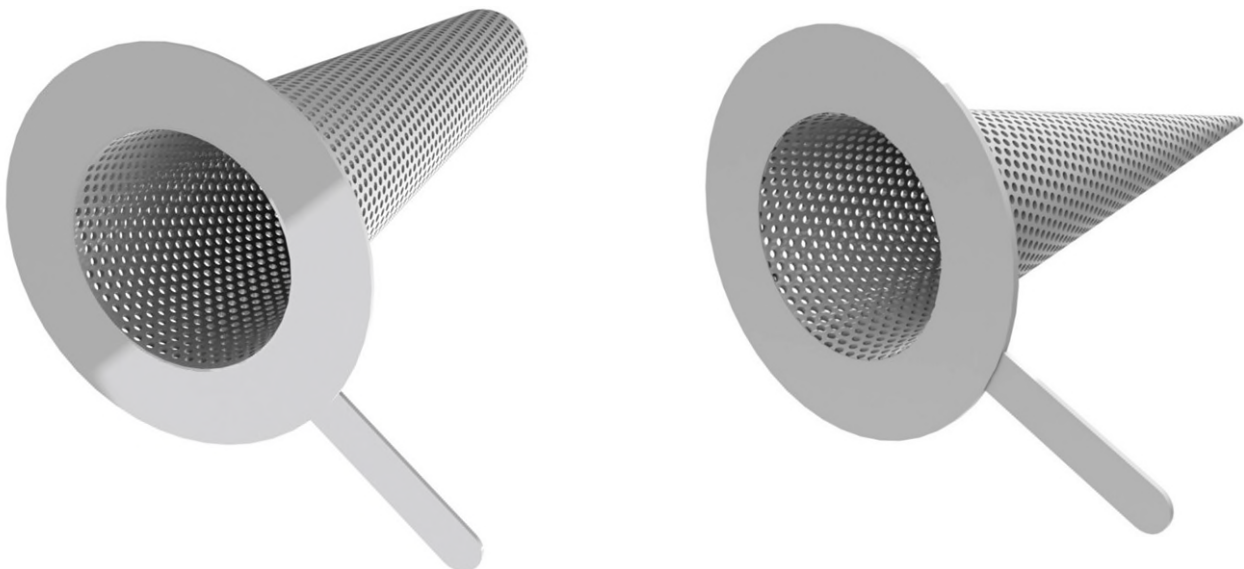


Part List and Standard Materials

Part	316 Stainless Steel
1. Screen Ring	A240-316
2. Handle	A240-316
3. Screen Assembly	A240-316
4. External Reinforcing Ring ¹	A240-316

Notes:

1. Available in Duplex Stainless Steel (UNS-S31803) and Super Duplex Stainless Steel (UNS-S32750) and other alloy material.





Inline Flow Specialty
Our Quality Defines Us

Inline Flow Specialty Pte Ltd

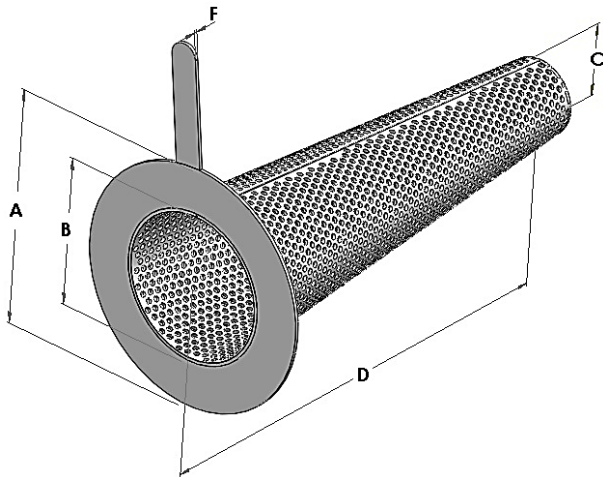
39 Woodlands Close
Mega@Woodlands #08-78
Singapore 737856
☎ +65 6365 5400 ☎ +65 6365 6455
www.inlineflowspecialty.com

Document No. :

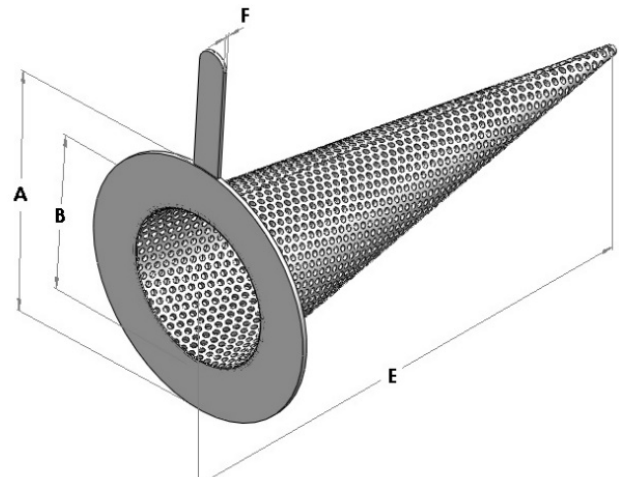
IFS/STR_TEMP01/CAT

Rev. : 0

Page : 2



Temporary Basket (TB)



Temporary Cone (TC)

Dimensional Data and Weight

Size inch (mm) Rating	A (O.D.) inch (mm)				B(I.D.) inch (mm)	C inch (mm)	D (Basket Length) inch (mm)				E (Cone Length) inch (mm)				F inch (mm)	Weight Lbs. (Kg.)
	150/300	600	900	1500			100%	150%	200%	300%	100%	150%	200%	300%		
	3/4" 20	2.1 54	2.5 64	2.6 67			2.6 67	0.6 16	0.3 8	1 25.4	1.25 31.8	2 50	2.5 63.5	1.5 38.1		
1" 25	2.5 64	2.75 70	3.0 76	3.0 76	0.8 19	0.4 10	1.25 32	2 50	3 76	4 102	2 52	3.5 89	4.5 114	6 152	0.13 3	0.9 0.4
1 1/2" 40	3.3 83	3.6 92	3.8 95	3.8 95	1.3 32	0.6 16	1.75 44.5	2.5 63.5	4 102	5 127	2.75 70	4.5 114	6 152	8 204	0.13 3	1 0.45
2" 50	4.0 102	4.25 108	5.5 140	5.5 140	1.8 44	0.9 22	2.5 63.5	3.5 89	5 127	7 178	3.5 89	6 152	8 204	11 279.4	0.13 3	1 0.45
2 1/2" 65	4.8 121	5 127	6.4 162	6.4 162	2.3 57	1.1 29	2.75 70	4 102	6 152	8 204	4 102	7 178	9 228.6	12 305	0.13 3	1.25 0.56
3" 80	5.3 133	5.75 146	6.5 165	6.8 171	2.8 70	1.4 35	3 76	4.5 114	7 178	9 228.6	5 127	8 202	12 305	14 356	0.13 3	1.5 0.67
4" 100	6.8 171	7.5 191	8.0 203	8.1 206	3.8 95	1.9 48	3.75 95.3	6 152.4	8 204	12 304.8	6 152	10 254	13 330.2	18 457.2	0.13 3	2 0.9
5" 125	7.6 194	9.4 238	9.6 244	9.9 251	4.6 117	2.3 59	5 127	7 178	10 254	15 381	7.25 184	12 305	15 381	24 609.6	0.13 3	2.25 1
6" 150	8.6 219	10.4 263	11.3 286	11.0 279	5.4 137	2.7 68	6 152	9.5 241.3	13 330.2	18 457.2	10 254	15 381	18 457.2	28 711	0.13 3	3.25 1.46
8" 200	10.9 276	12.5 318	14.0 356	13.8 349	7.4 187	3.7 94	7.25 184	12 305	17 431.8	23 584.2	12 305	19 482.6	25 635	35 889	0.13 3	6 2.7
10" 250	13.3 337	15.6 397	17.0 432	17.0 432	9.4 238	4.7 119	9 229	15 381	20 508	29 736.6	15 381	22 559	30 762	42 1067	0.13 3	9 4
12" 300	16.0 406	17.9 454	19.5 495	20.4 517	11.0 279	5.5 140	11 279	18 457.2	23 584.2	34 863.6	17 431.8	27 686	35 889	51 1295	0.13 3	14 6.3
14" 350	17.4 441	19 483	20.4 517	22.6 575	12.3 311	6.1 156	12.5 317.5	20 508	25 635	38 965.2	19 482.6	30 762	39 991	56 1422	0.13 3	15 6.75
16" 400	20.1 511	21.9 555	22.5 572	25.1 638	14.0 356	7.0 178	15 381	23 584.2	30 762	44 1118	22 559	33 838.2	43 1092	64 1626	0.13 3	20 9
18" 450	21.3 540	23.75 603	25.0 635	27.6 702	15.8 400	7.9 200	18 457.2	26 660.4	33 838.2	49 1245	25 635	38 965.2	50 1270	73 1854	0.13 3	24 11
20" 500	23.5 597	26.6 676	27.4 695	29.6 753	17.5 445	8.8 222	19 482.6	29 236.6	37 940	55 1397	28 711	41 1041	55 1397	82 2083	0.13 3	30 13.5
24" 600	27.9 708	30.9 784	32.9 835	35.4 899	21.3 540	10.6 270	22.5 572	34 863.6	43 1092	66 1676	32 813	50 1270	67 1702	98 2489	0.13 3	36 16.2

Note : Dimensions are subject to change. Clients are required to request for drawing prior to purchase.

Inline Flow Specialty reserves the right to change, amend, modify, suspend, continue or terminate all or any part of this brochure and its content either in an individual case or in general, at any time without notice.